



MAX24000-Series EVKIT Evaluates: MAX24000-Series Clock Products

General Description

The MAX24000-Series EVKIT is an easy-to-use evaluation kit for the Microsemi MAX24000-Series clock synchronization and clock synthesis ICs. A surface-mounted IC device and careful layout provide maximum signal integrity. On-board crystal, XO and TCXO components are provided for use as the device reference clock. Additionally, the board can accept 3 external input clocks which are accessible via SMB connectors. All device output clocks are available via SMB connectors to allow easy evaluation of the device's jitter performance. The EVKIT can be configured to have four device GPIO pins connected to LEDs or header pins to provide device status information. Device JTAG I/O signals are also accessible via header pins. Finally, an on-board microcontroller and USB interface provide easy configuration and monitoring of the MAX24000-Series device via a Windows®-based software application.

This data sheet is for the revision B evaluation board assembly. Each board assembly revision has its own data sheet.

Evaluation Kit Contents

- ◆ MAX24000-series EVKIT Board
- ◆ Power Supply
- ◆ USB Cable
- ◆ 2 SMB to BNC cables
- ◆ 5 Oscillator Evaluation Daughter Cards

Features

- ◆ Soldered MAX24000-Series Device for Best Signal Integrity
- ◆ SMB Connectors For Easy Connectivity
- ◆ Connectors and Termination for Input Clock Signals
- ◆ On-Board Crystal, XO and TCXO Components for Use as Reference Clocks
- ◆ Footprints to Support Both 5x7mm and 3x5mm Oscillators
- ◆ External Oscillator Testing Support
- ◆ 4 Software Configurable Device Status LEDs and Header Pins
- ◆ Easy-to-Read Silkscreen Labels Identify the Signals Associated with All Connectors, Jumpers, and LEDs
- ◆ Windows®-Based Application Software Provides Easy GUI-Based Configuration and Monitoring of Most Common Device Features and Register Level Access to Entire Device Register Set
- ◆ Software Support for Creating and Running Configuration Scripts Saves Time During Evaluation and System Design

Minimum System Requirements

- ◆ PC Running Windows® XP or Windows® 7
- ◆ Display with 1024x768 Resolution or Higher
- ◆ Available USB Port

Ordering Information

| PART NUMBER | DESCRIPTION |
|---------------|---|
| MAX24210EVKIT | Evaluation Kit for MAX24205 and MAX24210 5- or 10-Output Any-Rate Timing ICs |
| MAX24310EVKIT | Evaluation Kit for MAX24305 and MAX24310 5- or 10-Output Any-Rate Timing ICs with Internal EEPROM |
| MAX24410EVKIT | Evaluation Kit for MAX24405 and MAX24410 5- or 10-Output Any-Rate Clock Multipliers |
| MAX24510EVKIT | Evaluation Kit for MAX24505 and MAX24510 5- or 10-Output Any-Rate Clock Multipliers with Internal EEPROM |
| MAX24610EVKIT | Evaluation Kit for MAX24605 and MAX24610 5- or 10-Output Any-Rate Line Card Timing ICs |
| MAX24710EVKIT | Evaluation Kit for MAX24705 and MAX24710 5- or 10-Output Any-Rate Line Card Timing ICs with Internal EEPROM |

Table of Contents

| | |
|---|-----------|
| 1. OVERVIEW..... | 4 |
| 2. BOARD FLOORPLAN AND CONFIGURATION..... | 4 |
| 2.1 POWER SUPPLY CONNECTION..... | 5 |
| 2.2 USB CONNECTION..... | 5 |
| 2.3 HARDWARE CONFIGURATION SETTINGS..... | 5 |
| 2.3.1 Power Supply..... | 5 |
| 2.3.2 Reset and Microprocessor..... | 5 |
| 2.3.3 Master Clock Oscillator..... | 5 |
| 2.3.4 Input Clocks..... | 5 |
| 2.3.5 Output Clocks..... | 5 |
| 2.4 GPIO HEADER AND STATUS LEDS..... | 10 |
| 2.5 POWER-UP CONFIGURATION FROM INTERNAL/EXTERNAL EEPROM..... | 10 |
| 2.6 JTAG HEADER..... | 10 |
| 3. SOFTWARE INSTALLATION..... | 11 |
| 3.1 SOFTWARE APPLICATION INSTALLATION..... | 11 |
| 3.2 USB VIRTUAL COM PORT DEVICE DRIVER INSTALLATION..... | 11 |
| 3.3 COMMAND LINE OPTIONS..... | 12 |
| 4. SOFTWARE APPLICATION OVERVIEW..... | 12 |
| 4.1 MAIN MENU..... | 12 |
| 4.2 APLL CONFIGURATION MENU..... | 17 |
| 4.3 OUTPUT CLOCK CONFIGURATION MENU..... | 18 |
| 4.4 DPLL MASTER CLOCK CONFIGURATION MENU..... | 19 |
| 4.5 DPLL CONFIGURATION MENU..... | 20 |
| 4.6 DPLL INPUT CLOCK CONFIGURATION MENU..... | 21 |
| 4.7 POWER METER MENU..... | 22 |
| 4.8 I/O PIN CONFIGURATION MENU..... | 24 |
| 4.9 EEPROM MENU..... | 25 |
| 4.10 REGISTER VIEW MENU..... | 26 |
| 4.11 CONFIGURATION SCRIPTS AND LOG FILES..... | 27 |
| 4.11.1 Configuration Log File..... | 27 |
| 4.11.2 Configuration Scripts..... | 27 |
| 5. EVKIT ERRATA..... | 30 |
| 6. REVISION HISTORY..... | 30 |
| 7. BILL OF MATERIALS..... | 31 |
| 8. SCHEMATICS..... | 34 |

List of Figures

| | |
|--|----|
| Figure 1. MAX24000-series EVKIT Rev B Board Floorplan..... | 4 |
| Figure 2. EVKIT Software Main Menu - MAX24310 Rev A1 | 12 |
| Figure 3. Input Clock Frequency Calculator Menu..... | 13 |
| Figure 4. APLL1 Output Frequency Calculator Menu | 14 |
| Figure 5. APLL1 Configuration Menu | 17 |
| Figure 6. Output Clock Configuration Menu | 18 |
| Figure 7. DPLL Master Clock Configuration Menu..... | 19 |
| Figure 8. DPLL Configuration Menu | 20 |
| Figure 9. DPLL Input Clock Configuration Menu | 21 |
| Figure 10. Power Meter Menu, Estimated Mode | 22 |
| Figure 11. Power Meter Menu, Measured Mode | 23 |
| Figure 12. I/O Pin Configuration Menu | 24 |
| Figure 13. EEPROM Menu..... | 25 |
| Figure 14. Register View Menu..... | 26 |
| Figure 14. EVKIT Bill of Materials | 31 |
| Figure 14. EVKIT 50MHz Crystal Daughter Card Bill of Materials..... | 34 |
| Figure 14. EVKIT 49.152MHz Crystal Daughter Card Bill of Materials | 34 |

List of Tables

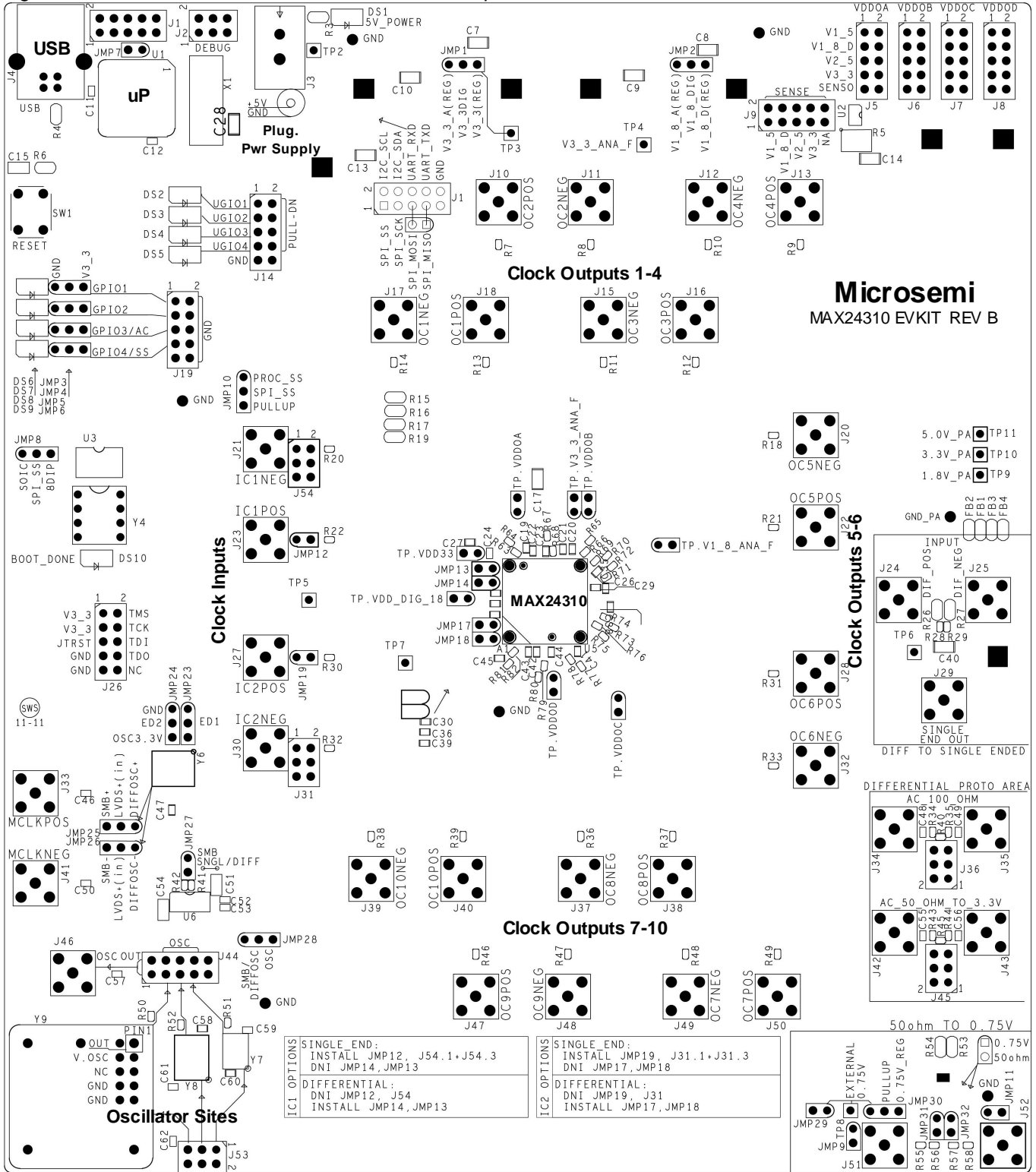
| | |
|---|----|
| Table 1. Power Supply Hardware Configuration..... | 6 |
| Table 2. Reset and Microprocessor Hardware Configuration | 7 |
| Table 3. Master Clock Oscillator Hardware Configuration | 7 |
| Table 4. MCLKOSC Source Selection Jumper Settings..... | 8 |
| Table 5. Input Clock Hardware Configuration..... | 9 |
| Table 6. Input Clock Differential/Single-Ended Mode Selection Jumper Settings | 9 |
| Table 7. Output Clock Hardware Configuration..... | 10 |
| Table 8. MAX24000-Series EVKIT External EEPROM Options | 10 |

1. Overview

This document covers the revision B assembly of the MAX24000-series Evaluation Kit board.

2. Board Floorplan and Configuration

Figure 1. MAX24000-series EVKIT Rev B Board Floorplan



When the board is oriented as shown in [Figure 1](#), the MAX24000-Series device is located in the middle of the board, the input clock connectors are on the left side, and the output clock connectors are above, to the right and below the device. USB and power supply connectors are located in the top left corner of the board.

2.1 Power Supply Connection

The EVKIT board is powered via connector J3 using the provided AC-wall-plug 5V power supply. LED DS1 illuminates to indicate that the board is powered.

2.2 USB Connection

The Windows®-based MAX24000-series EVKIT software communicates to the board via USB connector J4.

2.3 Hardware Configuration Settings

2.3.1 Power Supply

The EVKIT provides several options for evaluating device performance with respect to power supply configuration. [Table 1](#) summarizes the EVKIT power supply related hardware connectors and functionality.

2.3.2 Reset and Microprocessor

The EVKIT provides a momentary switch reset button that can be used to perform a hardware reset of the board. Additionally, the board has a USB connector for interfacing the EVKIT's microcontroller to the host PC running the EVKIT software. [Table 2](#) summarizes the EVKIT reset and microprocessor related hardware connectors and functionality.

2.3.3 Master Clock Oscillator

The EVKIT provides several options for driving the MAX24000-Series device's MCLKOSC input from either an on-board oscillator or an external source. [Table 3](#) summarizes the EVKIT master clock oscillator related hardware configuration connectors and functionality. [Table 4](#) summarizes how to configure the EVKIT jumpers to select each MCLKOSC source.

2.3.4 Input Clocks

The EVKIT IC1 and IC2 inputs can be configured to accept either a differential or single-ended signal. When configured as a differential input, that input can be configured as either AC coupled or DC coupled. [Table 5](#) summarizes the EVKIT input clock related hardware connectors and functionality. [Table 6](#) summarizes how to configure the EVKIT jumpers for either a differential or single-ended input.

2.3.5 Output Clocks

The EVKIT supports evaluation of all MAX24000-Series device output clocks using SMB connectors. [Table 7](#) summarizes the EVKIT output clock related hardware connectors.

The EVKIT MAX24xxx output clock termination circuits are shown on schematic sheet 11. Common termination options can be evaluated by populating the appropriate components. The EVKIT is provided with output clocks OC1P/N through OC8P/N configured as DC-coupled differential CML, OC9P/N and OC10P/N configured as dual single-ended CMOS.

Table 1. Power Supply Hardware Configuration

| SILK SCREEN REFERENCE | DEVICE / FUNCTION | BASIC SETTING | SCHEMATIC PAGE | DESCRIPTION |
|--|---|----------------------------------|----------------|--|
| J3 | Power jack | Connected to 5V | 3 | 5V power input |
| TP2 | Testpoint | | 3 | Testpoint for 5V power input |
| TP3 | Testpoint | | 3 | Testpoint for 3.3V supply V3_3 |
| GND | Testpoint | | 3 | Ground testpoints. Reference designators are not shown, GND designation is used instead |
| JMP1 | 3 pin jumper | 2-3: V3_3DIG jumpered to V3_3 | 4 | Selects source of device VDD33 power pin. This pin can be connected to the board's main 3.3V supply (V3_3) or to a separately regulated 3.3V supply for the device's APLLs and XO. |
| JMP2 | 3 pin jumper | 2-3: V1_8_DIG jumpered to V1_8_D | 5 | Selects source of device VDD_18, VDD_DIG_18 and VDD_OC_18 power pins. These pins can be connected to a digital 1.8V supply (V1_8_D) or to a separately regulated 1.8V supply for the device's APLLs, XO and outputs. |
| J5 (VDDOA) J6 (VDDOB) J7 (VDDOC) J8 (VDDOD) | 10 pin header, power selection | Jumper pins 7+8 | 6 | One and only one of the following jumper placements should be used on each 10-pin header: 1-2 Connects VDDOx to V1.5 3-4 Connects VDDOx to V1.8Dig 5-6 Connects VDDOx to V2.5 7-8 Connects VDDOx to V3.3 9-10 VDDOx to VSENSE (see J9) |
| J9 (VSENSE) | 10 pin header, power selection with current measurement | Jumper pin 7+8 | 6 | Used to power any of VDDO[A,B,C,D] when the VSENSE jumper position of J5,J6,J7 or J9 is selected. One and only one of the following jumper placements should be used: 1-2 Connects VSENSE to V1.5 3-4 Connects VSENSE to V1.8Dig 5-6 Connects VSENSE to V2.5 7-8 Connects VSENSE to V3.3 9-10 not used |
| TP.VDDOA | Power Testpoint | | 14 | device VDDOA pin |
| TP.VDDOB | Power Testpoint | | 14 | device VDDOB pin |
| TP.VDDOC | Power Testpoint | | 14 | device VDDOC pin |
| TP.VDDOD | Power Testpoint | | 14 | device VDDOD pin |
| TP.V1_8_ANA_F | Power Testpoint | | 14 | device pins: VDD_APLL1_18, VDD_APLL2_18, VDD_XO_18, VDDIO[A,B,C,D] |
| TP.VDD_DIG_18 | Power Testpoint | | 14 | device pins: VDD_OC_18, VDD_DIG_18, VDD_18 |
| TP.V3_3_ANA_F | Power Testpoint | | 14 | device pins: VDD_APLL1_33, VDD_APLL2_33, VDD_XO_33 |
| TP.VDD33 | Power Testpoint | | 14 | device VDD_33 pin |

Table 2. Reset and Microprocessor Hardware Configuration

| SILK SCREEN REFERENCE | DEVICE / FUNCTION | BASIC SETTING | SCHEMATIC PAGE | DESCRIPTION |
|-----------------------|-------------------|-----------------|----------------|---|
| J4 | USB connector | Connected to PC | 8 | Connects EVKIT to host computer |
| J1 | Bus Connector | Not used | 8 | Can be used to interact with an external PCB (as either data source or sink) |
| J14 + DS2,3,4,5 | Test points + LED | Not used | 8 | User I/O pins on microcontroller |
| SW1 | Reset | Not used | 8 | The PCB receives a power on reset, and subsequent reset is done using SW1. |
| J2 | Debug | Not used | 8 | Background debug connector. Used to interface to debug pod part # USB-ML-12 from PE Micro |

Table 3. Master Clock Oscillator Hardware Configuration

| SILK SCREEN REFERENCE | DEVICE / FUNCTION | BASIC SETTING | SCHEMATIC PAGE | DESCRIPTION |
|-----------------------|--------------------------|---------------|----------------|---|
| J53 | Header, Power | 1-2 | 9 | Provides power to oscillator sites 1-2 powers Y7 3-4 powers Y8 5-6 powers Y9 |
| J44 J46 | Header, SMB connector | 7-8 | 9 | Selects clock source for UB22 J44 3-4 selects Y9 J44 5-6 selects Y8 J44 7-8 selects Y7 J44 2-4 can be used to route Y7 or Y8 clock signal to SMB J46 J44 1-3, 2-4 can be used to route Y9 to SMB J46 |
| JMP28 | 3 pin jumper | 2-3 | 9 | Selects source for device MCLKOSCP/N pins. This revision of the EVKIT does not support MCLKOSCP/N differential options Y6 and J33/J41, and single-ended option J33. JMP28 should always be set to position 2-3. |

Table 4. MCLKOSC Source Selection Jumper Settings

| MCLKOSC Source | Jumper Settings |
|--|---|
| Y6 On-board 5x7 Differential Oscillator Site | This revision of the EVKIT does not support this option. |
| Y7 On-board 3x5 Single-ended Oscillator Site | JMP28 = 2-3 J44 = 7-8 J53 = 1-2 |
| Y8 On-board 5x7 Single-ended Oscillator Site | JMP28 = 2-3 J44 = 5-6 J53 = 3-4 |
| Y9 Oscillator Daughter Card Site | JMP28 = 2-3 J44 = 3-4 J53 = 5-6 |
| J33 External Single-ended Input | This revision of the EVKIT does not support this option. |
| J33/J41 External Differential Input | This revision of the EVKIT does not support this option. |
| Not Used | JMP28 = 2-3 J44 = Not Installed J53 = Not Installed |

Table 5. Input Clock Hardware Configuration

| SILK SCREEN REFERENCE | DEVICE / FUNCTION | BASIC SETTING | SCHEMATIC PAGE | DESCRIPTION |
|--------------------------------|-------------------|---|----------------|--|
| J22 J21 | IC1POS IC1NEG | | 10 | IC1 differential or single-ended input |
| JMP12 J54 JMP13 JMP14 | IC1 configuration | Differential, AC Coupled: JMP12 Not Installed J54 = 5-6 JMP13 Installed JMP14 Installed | 10 | Used to configure IC1 as a differential or single-ended input, AC coupled or DC coupled. Refer to Table 6 for configuration options. |
| J27 J30 | IC2POS IC2NEG | | 10 | IC2 differential or single-ended input |
| JMP19 J31 JMP17 JMP18 | IC2 configuratoin | Differential, AC Coupled: JMP19 Not Installed J31 = 5-6 JMP17 Installed JMP18 Installed | 10 | Used to configure IC2 as a differential or single-ended input, AC coupled or DC coupled. Refer to Table 6 for configuration options. |

Table 6. Input Clock Differential/Single-Ended Mode Selection Jumper Settings

| Input Clock | Mode | Coupling | Jumper Settings |
|-------------|--------------|----------|--|
| IC1 | Differential | AC | JMP12 = Not Installed J54 = 5-6 JMP13 = Installed JMP14 = Installed |
| | | DC | JMP12 = Installed J54 = 1-2 JMP13 = Installed JMP14 = Installed |
| | Single-ended | AC | JMP12 = Not Installed J54 = 1-3 JMP13 = Not Installed JMP14 = Not Installed |
| | | DC | JMP12 = Installed J54 = 1-3 JMP13 = Not Installed JMP14 = Not Installed |
| IC2 | Differential | AC | JMP19 = Not Installed J31 = 5-6 JMP17 = Installed JMP18 = Installed |
| | | DC | JMP19 = Installed J31 = 1-2 JMP17 = Installed JMP18 = Installed |
| | Single-ended | AC | JMP19 = Not Installed J31 = 1-3 JMP17 = Not Installed JMP18 = Not Installed |
| | | DC | JMP19 = Installed J31 = 1-3 JMP17 = Not Installed JMP18 = Not Installed |

Table 7. Output Clock Hardware Configuration

| SILK SCREEN REFERENCE | DEVICE / FUNCTION | BASIC SETTING | SCHEMATIC PAGE | DESCRIPTION |
|-------------------------------|--|---------------|----------------|------------------------------------|
| J17 J18 J15 J16 | OC1 Output OC2 Output | | 11 | Output clocks, referenced to VDDOA |
| J11 J10 J12 J13 J20 J22 | OC3 Output OC4 Output OC5 Output | | 11 | Output clocks, referenced to VDDOB |
| J32 J28 J49 J50 J37 J38 | OC6 Output OC7 Output OC8 Output | | 11 | Output clocks, referenced to VDDOC |
| J48 J47 J39 J40 | OC9 Output OC10 Output | | 11 | Output clocks, referenced to VDDOD |

2.4 GPIO Header and Status LEDs

The device's bi-directional GPIO pins are available on the 10-pin header J19. The header pins are labeled for easy identification. The present states of GPIO1 through GPIO4 are indicated by LEDs DS6 through DS9, respectively.

2.5 Power-up Configuration from Internal/External EEPROM

The MAX24000-Series clock synchronization and clock synthesis devices support loading a device configuration from an EEPROM following a hardware reset. Depending on the part number, this EEPROM can be inside the device or external. Refer to the Ordering Information table on page 1 and the device data sheets for details.

The MAX24000-Series EVKIT supports evaluating this feature on all devices in the MAX24000-Series family. For devices that use an external EEPROM two options are provided. Refer to [Table 8](#) for details. For devices with an internal EEPROM this EVKIT functionality is not used.

Table 8. MAX24000-Series EVKIT External EEPROM Options

| Option | JMP8 |
|--------------------------------|-------------|
| On-board 2048 Byte SOIC EEPROM | 1-2 (SOIC) |
| 8-Pin DIP Socket | 2-3 (8-DIP) |

The MAX24000-Series EVKIT software can be used to program the EEPROM based on the current GUI configuration, or from a file. Additionally, the EVKIT software can be used to save the current GUI configuration to a file that can be used to program the EEPROM with a third-party tool.

Following a hardware reset, the device configuration stored in EEPROM is loaded into the device if the device pin GPIO3/AC is high. This pin has an internal pull-up resistor. Consequently, if the pin is left floating the EEPROM configuration will be loaded following a hardware reset. Placing a jumper across header J19 pins 5 and 6 will hold GPIO3/AC low during reset and prevent the EEPROM configuration from being loaded.

2.6 JTAG Header

The device JTAG interface is available on the 10-pin header J26. The header pins are labeled with the corresponding JTAG signal names for easy identification.

3. Software Installation

EVKIT software installation consists of the following two steps:

1. Install the EVKIT software application
2. Install the EVKIT virtual COM port driver (for USB connection to the board)

The following sections describe in detail how to perform each of these steps.

3.1 Software Application Installation

At this time the EVKIT software is only supported on Windows® XP and Windows® 7 operating systems. To install the software, open the installer zip file and run **setup.exe**.

The EVKIT software requires Microsoft .NET Framework 4.0 to operate. When setup.exe is run, it checks to see if .NET 4.0 is installed on the target computer. If .NET 4.0 is not already installed, the user is prompted to download and install .NET 4.0 from Microsoft's website.

3.2 USB Virtual COM Port Device Driver Installation

After the GUI application has been installed on the PC, apply power to the EVKIT board and connect its USB port to a USB port of the PC. Then follow these steps:

- ◆ A "Found New Hardware" message will appear in the notification area of the Windows taskbar, and then the Found New Hardware Wizard will appear.
- ◆ Select **No** when asked if you want to connect to Windows Update to look for the driver.
- ◆ Click **Next**.
- ◆ Select **Install from a list or specific location**.
- ◆ Click **Next**.
- ◆ Select **Search for the best driver in these locations** and check **include this location in the search** then browse to the folder where the software was installed. The default installation folder can be reached by browsing:
 - Windows XP: My Computer → Program Files → Microsemi → MAX24000-Series EVKIT
 - Windows 7: Computer → Local Disk (C:) → Program Files (x86) → Microsemi → MAX24000-Series EVKITWithin this directory select the sub-directory **USB Driver**. The driver file is: Freescale_CDC_Driver_CMX_WIN7.inf, but Windows only needs to know the name of the folder in which to look for this file.
- ◆ Click **Next**.
- ◆ If a message appears indicating the software has not passed logo testing, click **Continue Anyway**.

That should complete the virtual COM port device driver installation. After following these steps, the EVKIT software should be ready to communicate with the board.

3.3 Command Line Options

The software has these command line options:

-l <filepath> specifies an alternate log file. Example: MAX24000SeriesEVKIT.exe -l "mylog.mfg"

To add command line options to the EVKIT shortcut that the installer adds to the desktop or the start menu, right-click on the shortcut and select **Properties**. In the **Shortcut** tab, at the end of the text in the **Target** textbox, add a space followed by the command line option.

4. Software Application Overview

The EVKIT software provides an easy and interactive way to evaluate the MAX24000-Series clock synchronization and clock synthesis devices by using hierarchical menus to configure the device and monitor its status. The following sections briefly describe each of the major application menus.

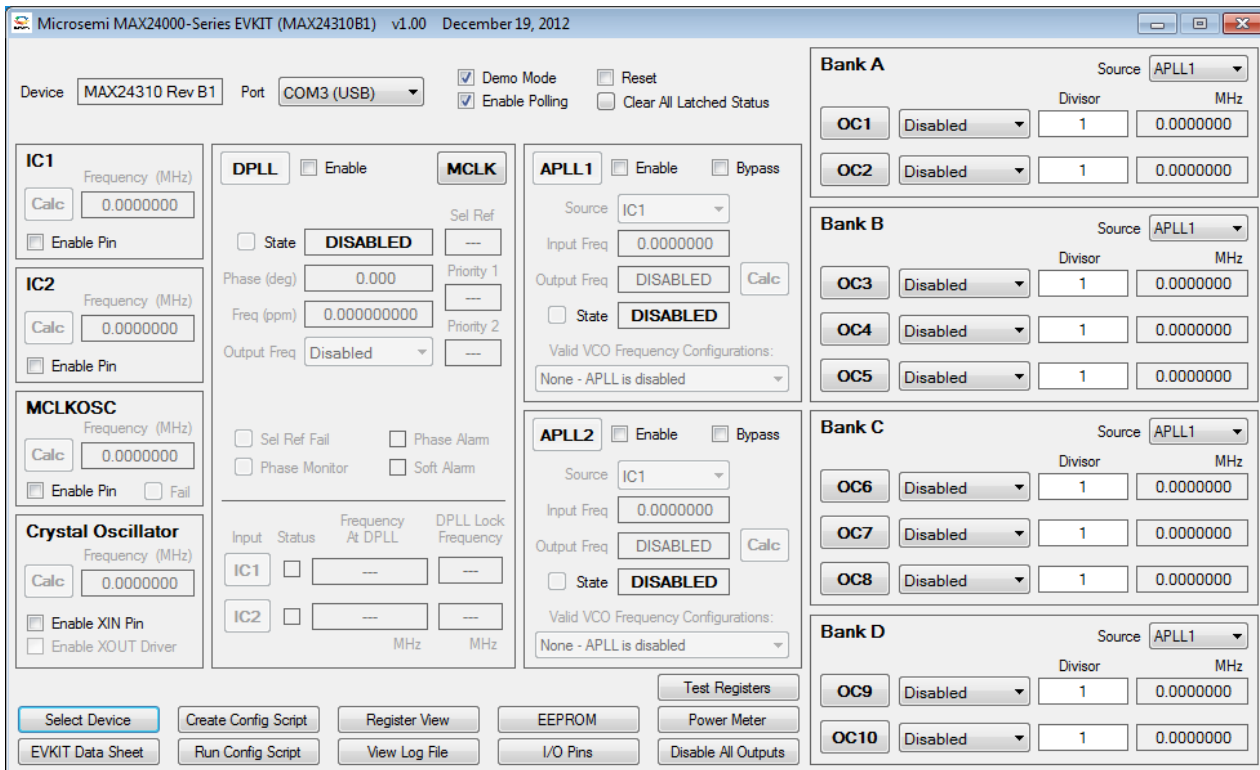
Note: in each menu, when the mouse cursor is placed over a configuration or status field, more information is displayed about that field such as the associated device register(s), valid numerical range, or error information.

4.1 Main Menu

A customized main menu is displayed for each MAX24000-Series device. The **Select Device** button in the lower left corner of the menu can be used to select a specific device in the MAX24000-Series family.

The EVKIT main menu for the MAX24310 revA1 is shown in [Figure 2](#). This menu provides an overview of the MAX24310A1 configuration and status. Additionally, it provides access to the application sub-menus that are used to perform detailed device configuration.

Figure 2. EVKIT Software Main Menu - MAX24310 Rev B1



The major features located on the main menu are:

- **Port list** (top left)

When the program starts, a scan is performed of the computer's USB-connected virtual COM ports. Those ports connected to a MAX24000-Series EVKIT are displayed in the port list.

- **Demo Mode** checkbox (top center)

When the program starts, it is initially in Demo Mode. In Demo Mode the software is not connected to the EVKIT board. In this mode, the software can be used to investigate device configuration options. Additionally, demo mode can be used to develop a device configuration script or EEPROM configuration file. The EVKIT can be operated in demo without the need to connect a board.

When the **Demo Mode** checkbox is unchecked, the EVKIT software establishes communication with the EVKIT board through the port displayed in the **Port** box. In this mode all menu configuration changes are translated into register settings which are written to the device on the EVKIT board via the USB interface.

- **Enable Polling** checkbox (top center)

While the **Demo Mode** checkbox is unchecked, if the **Enable Polling** checkbox is checked, the status registers in the device are periodically polled, and the corresponding status fields in the GUI are automatically updated. While the **Enable Polling** checkbox is unchecked, device polling is suspended.

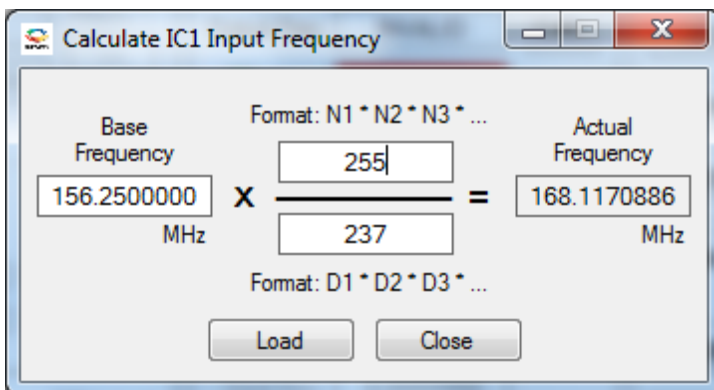
- **Reset** checkbox (top center)

This checkbox directly controls the MCR1.RST bit in the device. When this box is checked the entire device is reset to its power-on default state. If GPIO3/AC pin is high when reset is de-asserted, the device automatically configures its registers from internal or external EEPROM (depending on device part number).

- **Input Clocks, Master Clock Oscillator, and Crystal Oscillator**

The IC1, IC2, MCLKOSC, and Crystal Oscillator sections on the main menu are used enable these inputs and specify the signal frequency at the device pin. Simple frequencies such as 156.25MHz can be entered directly in the **Frequency** edit box. Pressing the **Calc** button launches a sub-menu similar to the one shown in [Figure 3](#). This menu can be used to specify more complex frequencies such as $156.25\text{MHz} * (255 / 237)$. In this menu, the nominal frequency numerator and denominator multiplier values can be entered as either simple integer values or as a string of multiplied integer values.

Figure 3. Input Clock Frequency Calculator Menu



- **APLL1 and APLL2**

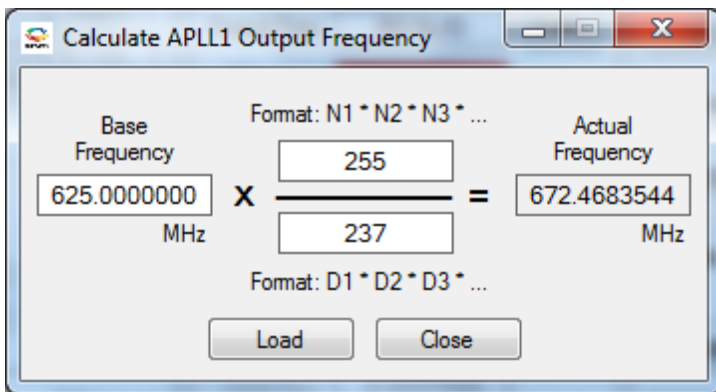
The MAX24000-Series devices have two independently configurable APLLs. Initially, the APLLs are disabled. The EVKIT software indicates this status by disabling the **APLLn** sub-menu button and the APLL fields on the main menu. An APLL is enabled by checking its **Enable** check box on the main menu.

The APLL input frequency is automatically determined from the APLL source selected. For output frequency, simple frequencies such as 625MHz can be entered directly in the main menu edit box. Pressing the **Calc** button launches a sub-menu similar to the one shown in [Figure 4](#). This menu can be used to specify more complex frequencies such as $625\text{MHz} * (255 / 237)$.

From the specified input and output frequencies, the EVKIT software determines a list of valid configuration options and lists them in the **Valid VCO Frequency Configurations** list box. In addition the EVKIT software configures the APLL to the first option in the list. For most applications, the first setting in the list is the optimal configuration.

Pressing the **APLLn** button launches a sub-menu that can be used to configure the APLL manually. This menu can be used for detailed custom configuration of an APLL or to see the detailed settings the EVKIT software chose when configuring the APLL from the main menu.

Figure 4. APLL1 Output Frequency Calculator Menu



- **Output Clocks, Bank A through Bank D**

The MAX24000-Series device output clocks are divided into four banks. These banks and their associated output clocks are shown on the right side of the main menu. The source, signal format, and APLL divisor for each output clock can be specified on the main menu. Additionally, the frequency of each output clock is displayed on the main menu. The **OCn** button launches a sub-menu with additional configuration options.

- **Select Device**

This button launches a pop-up menu that can be used to select a specific MAX24000-Series device. When a new device is selected, the EVKIT software is customized to match that device's features and internal resources.

- **User Guide**

Pressing the **User Guide** button launches Adobe Acrobat Reader and opens a copy of the MAX24000-Series EVKIT data sheet (this document). Adobe Acrobat Reader must be installed for this function to work.

- **Create Config Script**

The **Create Config Script** button launches a sub-menu that can be used to save the current GUI configuration to a file. This file is an ASCII text file that contains the sequence of device register writes required to configure the device to match the GUI settings. Certain aspects of configuring the device require a specific initialization sequence. The configuration script created using the **Create Config Script** menu adheres to those requirements.

- **Run Config Script**

The **Run Config Script** button launches a sub-menu that can be used to execute a device configuration script.

- **Register View**

The **Register View** button launches a sub-menu that provides register-level access to all device registers.

- **View Log File**

The **View Log File** button launches a text editor containing the EVKIT software log file. This log file contains the history of all devices register writes performed since the application was launched.

- **EEPROM**

The **EEPROM** button launches a sub-menu that can be used to perform EEPROM related operations. This menu can be used to save the current GUI configuration to an EEPROM configuration file for later use by either the EVKIT software or a third-party tool. Additionally, this menu can be used to program the EVKIT EEPROM with either the current GUI configuration or an EEPROM configuration file.

- **I/O Pins**

The **I/O Pins** button launches a sub-menu that can be used to configure the device GPIO pin functionality.

- **Power Meter**

The **Power Meter** button launches a sub-menu that displays the device estimated and measured power consumption. Estimated power mode can be used in either demo mode or while communicating with an EVKIT board. Estimated power is based on data sheet typical and max ratings. Measured power is based on voltage and current measurements taken by the EVKIT board. Measured power mode can only be used while the EVKIT is communicating with an EVKIT board.

Note: This measured power mode only reports accurate numbers when board headers J5, J6, J7 and J8 all have jumpers in the SENS0 position and header J9 has a jumper in a position other than "NA". This combination of jumper settings forces all VDDOA through VDDOD power supply voltages to be the single voltage specified by the jumper on header J9. Therefore this feature cannot be used for all possible device configurations.

- **Disable All Outputs**

Pressing the **Disable All Outputs** button disables all device outputs.

- **DPLL**

This section of the main menu is only displayed for members of the MAX24000-Series devices that contain a DPLL.

Initially, the DPLL section of the main menu is disabled. The EVKIT indicates this status by disabling the **DPLL** sub-menu button and the DPLL fields on the main menu. The DPLL is enabled by checking its **Enable** check box on the main menu.

Prior to enabling the DPLL, its master clock must be configured. This is accomplished by clicking the **MCLK** button and configuring the fields of the DPLL Master Clock sub-menu. Refer to section 4.4 for details.

The **DPLL State**, **Sel Ref Fail**, and **Phase Monitor** buttons represent latched status bits in the device. When the button is red, the corresponding latched status bit has been set in the device since the last time the button was pressed. Pressing the button clears the latched status bit and changes the color of the button back to green. The **State** button indicates the state of the DPLL has changed. **Sel Ref Fail** indicates the selected reference has failed. **Phase Monitor** indicates the phase monitor limit has been exceeded. The **DPLL State**, **Phase**, **Freq**, **Sel Ref**, **Priority 1**, and **Priority 2** text boxes display the real-time status of the corresponding device register fields.

The lower portion of the DPLL section of the main menu has fields for the device Input Clock Block. Each input clock Status LED displays the real-time status of the input clock as reported by its input monitor. When the input clock is disabled, the LED is grey. When the input clock is enabled, the LED provides a color-coded status of the input clock's state. When a clock of the correct frequency is applied to an input, the associated LED turns yellow when activity is detected and green when the input clock frequency is found to be within range. If an input is disqualified because the DPLL could not lock to it, the LED turns magenta.

Pressing the **DPLL** button launches a sub-menu that can be used to configure the DPLL. Pressing the **IC1** or **IC2** button launches a sub-menu that can be used to configure input monitoring, scaling and dividing for the corresponding input clock.

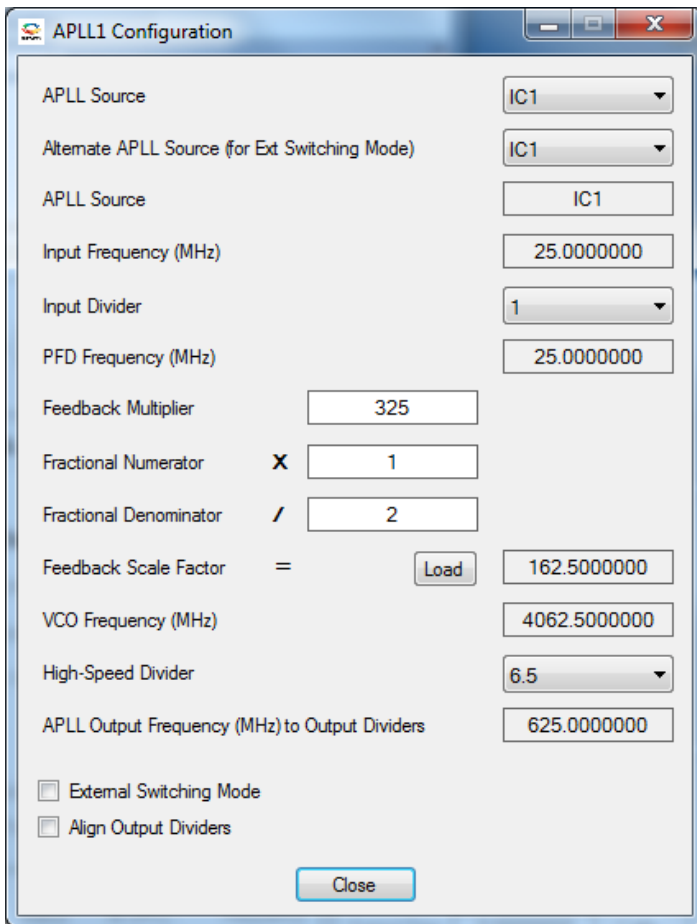
4.2 APLL Configuration Menu

The APLL Configuration sub-menu shown in [Figure 5](#) is accessed by pressing the **APLL1** button or the **APLL2** button on the main menu. This menu can be used for detailed custom configuration of an APLL or to see the detailed settings the EVKIT software chose when configuring the APLL from the main menu.

As shown in [Figure 5](#), each of the Feedback Scale Factor terms (Feedback Multiplier, Fractional Numerator, and Fractional Denominator) can be entered as either simple integer values or as a string of multiplied integer values. Whenever one or more of these fields is change the software colors the **Load** button red to remind the user that the **Feedback Scale Factor** field is not updated until the button is clicked.

In this menu an APLL can be configured for pin-based input reference selection on the GPIO4/SS pin by checking the **External Switching Mode** checkbox and specifying the two references to switch between in the **APLL Source** and **Alternate APLL Source** fields.

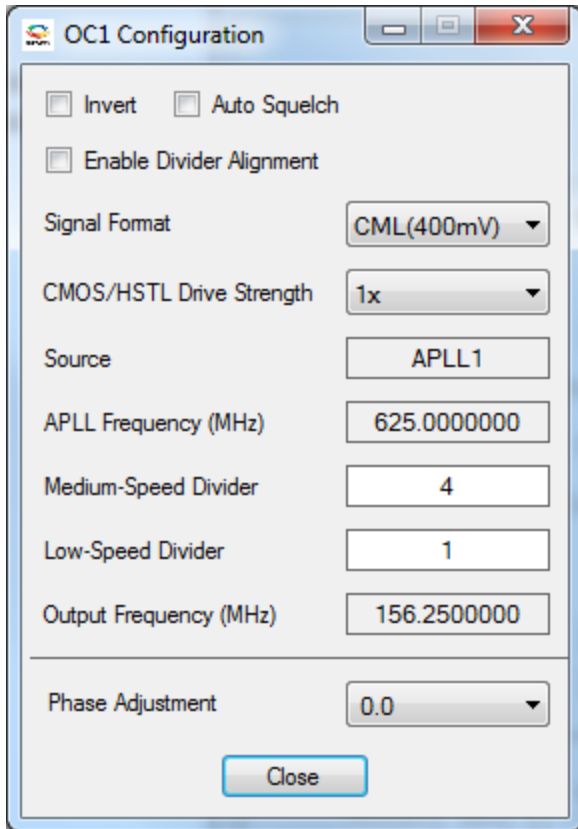
Figure 5. APLL1 Configuration Menu



4.3 Output Clock Configuration Menu

The Output Clock Configuration sub-menu shown in [Figure 6](#) is accessed by pressing the corresponding **OCn** button on the main menu. This menu is used to configure the output clock signal format and divider values that control the frequency of the clock at the pin.

Figure 6. Output Clock Configuration Menu



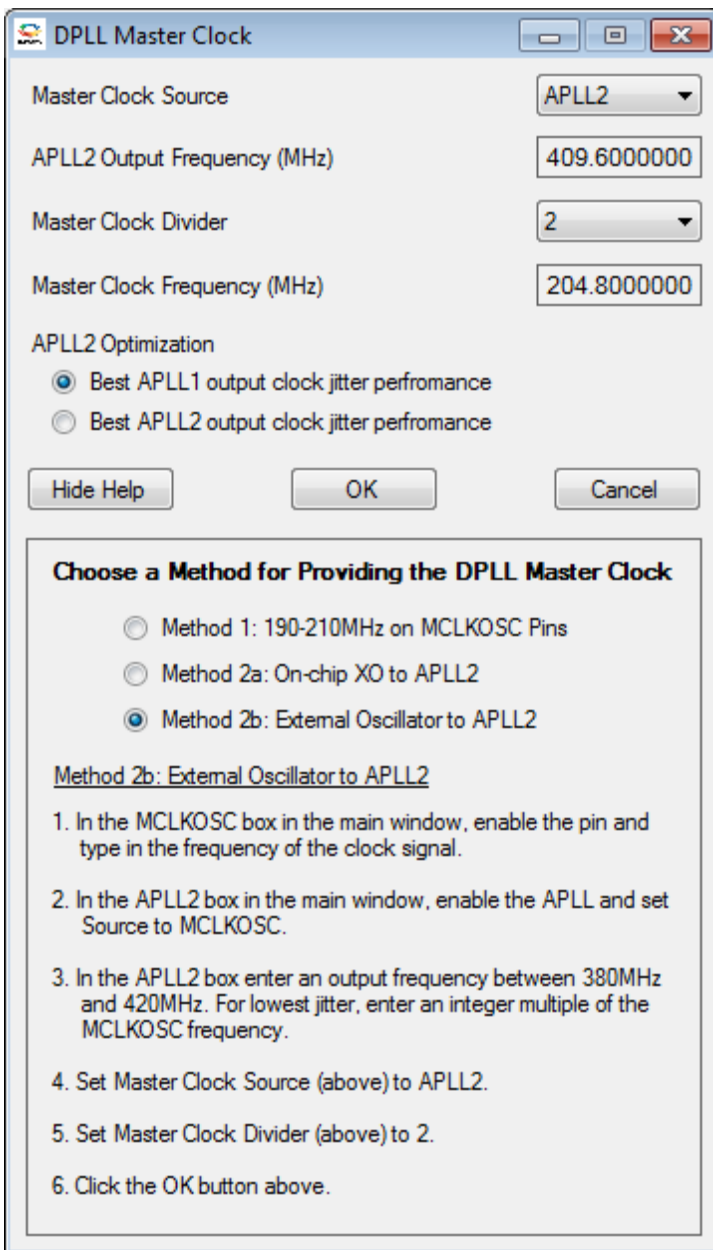
4.4 DPLL Master Clock Configuration Menu

This sub-menu is only available for MAX24000-Series devices that contain a DPLL.

The DPLL master clock configuration sub-menu shown in Figure 7 is accessed by pressing the **MCLK** button on the main menu. The DPLL master clock can be either sourced directly from the MCLKOSC pins or synthesized by APLL2 from an input source. This menu is used to specify the source and configure that source to a valid master clock frequency. Once the DPLL master clock configuration is selected, press the **OK** button to initialize the DPLL master clock.

The DPLL master clock supports three methods of configuration. These methods, as well as simple step-by-step configuration instructions, are shown in the Help section at the bottom of the menu. Each set of instructions is displayed by selecting the corresponding method's radio button.

Figure 7. DPLL Master Clock Configuration Menu

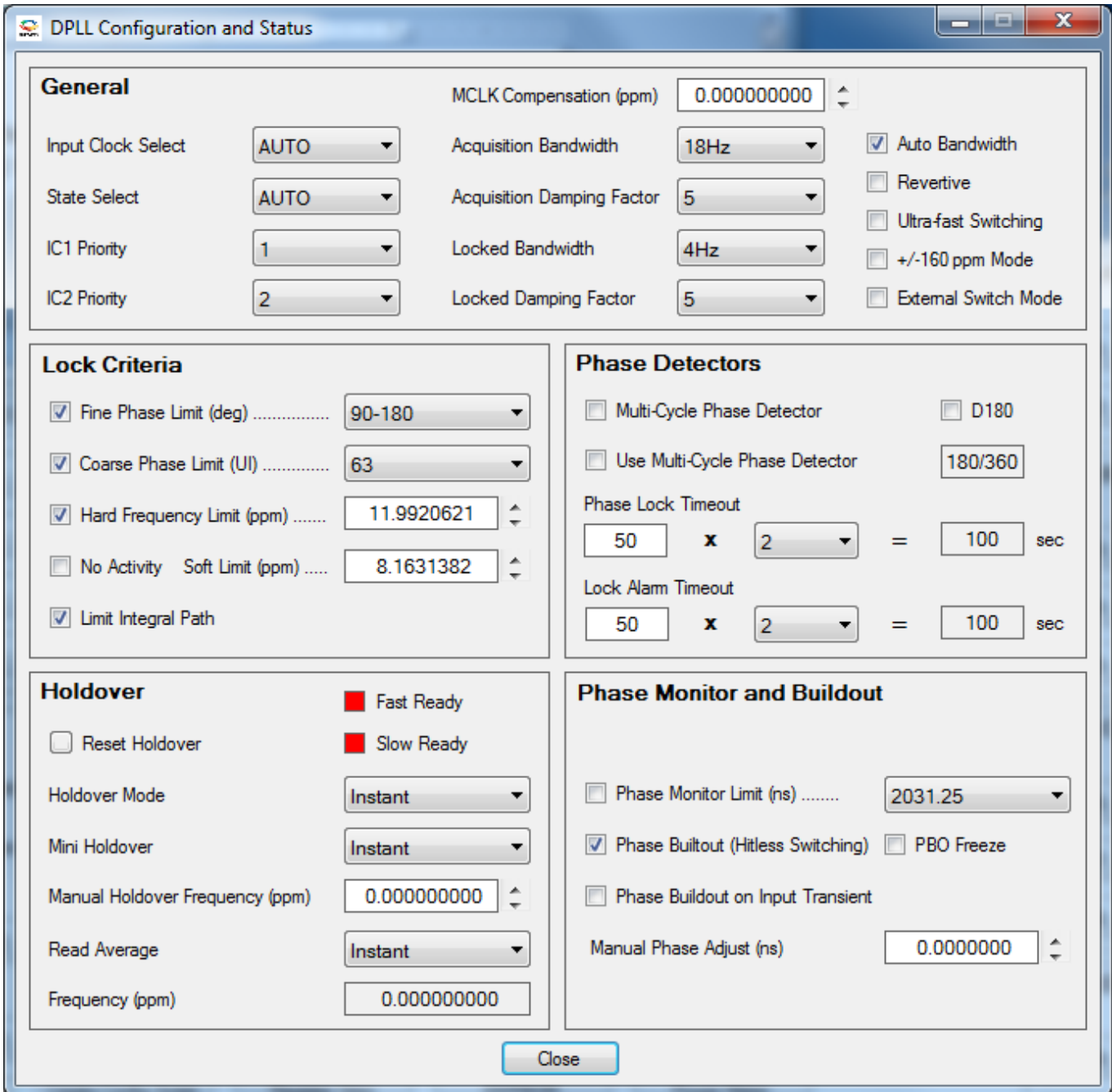


4.5 DPLL Configuration Menu

This sub-menu is only available for MAX24000-Series devices that contain a DPLL.

The DPLL configuration sub-menu shown in [Figure 8](#) is accessed by pressing the **DPLL** button on the main menu. This menu is used to perform detailed configuration of the DPLL including specifying the DPLL bandwidths, holdover mode, lock criteria, phase detector, and phase buildout functionality.

Figure 8. DPLL Configuration Menu

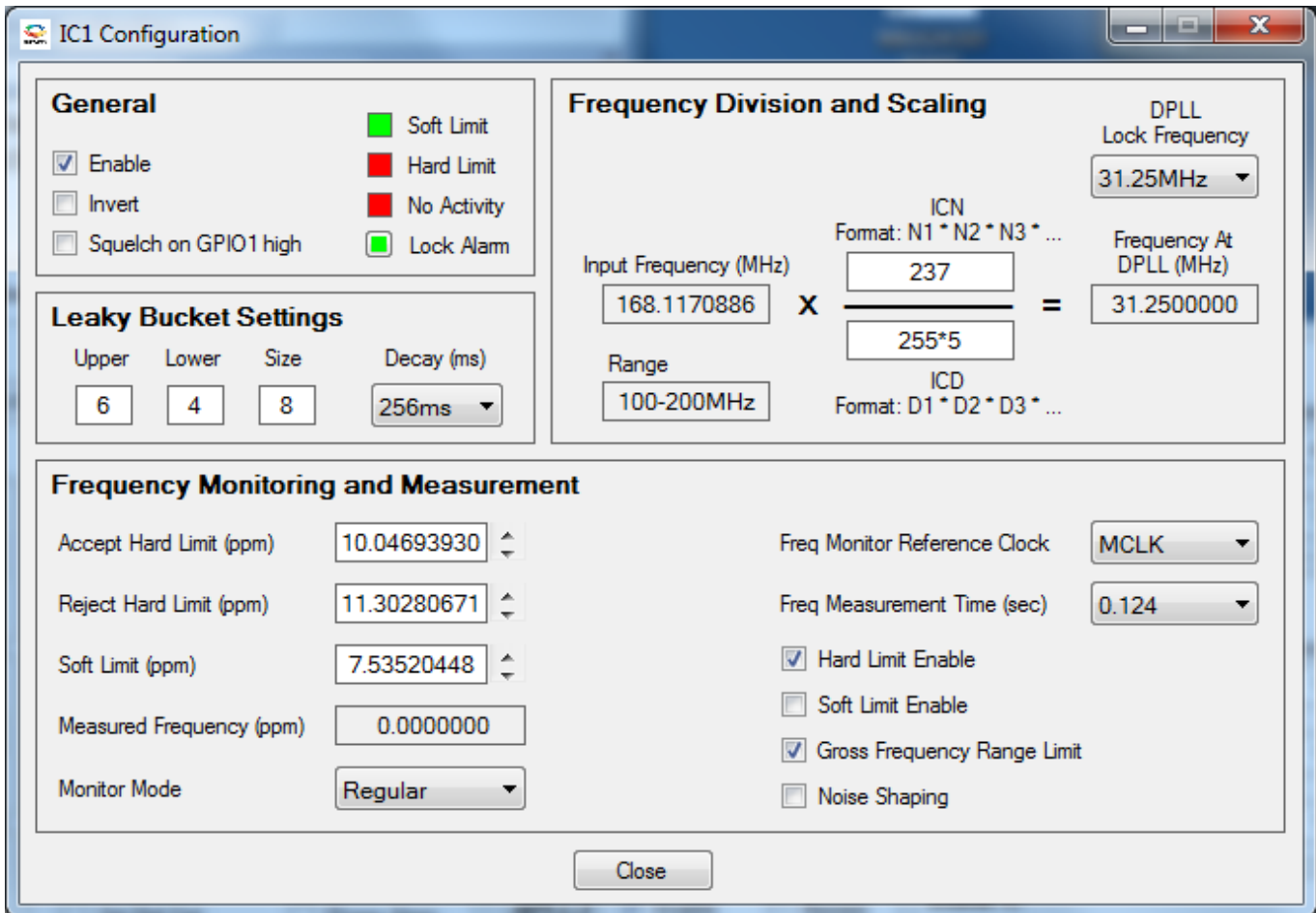


4.6 DPLL Input Clock Configuration Menu

This sub-menu is only available for MAX24000-Series devices that contain a DPLL.

The input clock configuration sub-menu shown in Figure 9 can be accessed by pressing the corresponding ICn button on the main menu. This menu is used to perform detailed configuration of input clock functionality related to DPLL operation. This configuration includes enabling the input clock path to the DPLL, specifying the DPLL lock frequency to use for the input clock, and specifying the divider ratio to be used to divide the input clock to the lock frequency. This menu can also be used to configure the input clock monitoring parameters.

Figure 9. DPLL Input Clock Configuration Menu



4.7 Power Meter Menu

The power meter sub-menu is accessed by pressing the **Power Meter** button on the main menu. The power meter has two modes of operation – Estimated and Measured.

Estimated mode, shown in [Figure 10](#) below, is selected by pressing the **Estimated** button in the top left corner of the Power Meter menu. In estimate mode, the EVKIT software calculates both the typical and maximum device current and power based on the enabled functionality and device data sheet specs. This mode is available in both Demo Mode and while the EVKIT software is communicating with an EVKIT board.

Measured mode, shown in [Figure 11](#) below, is selected by pressing the Measured button in the top left corner of the Power Meter menu. In measured mode, the EVKIT software periodically measures the current of the device on the EVKIT and displays this information along with the corresponding calculated supply power and total device power. This information can be used to estimate the typical device power consumption for a specific device configuration. Measured mode is only available while the EVKIT software is communicating with an EVKIT board.

Note: This feature only reports accurate numbers when board headers J5, J6, J7 and J8 all have jumpers in the SENSO position and header J9 has a jumper in a position other than “NA”. This combination of jumper settings forces all VDDOA through VDDOD power supply voltages to be the single voltage specified by the jumper on header J9. Therefore this feature cannot be used for all possible device configurations.

Figure 10. Power Meter Menu, Estimated Mode

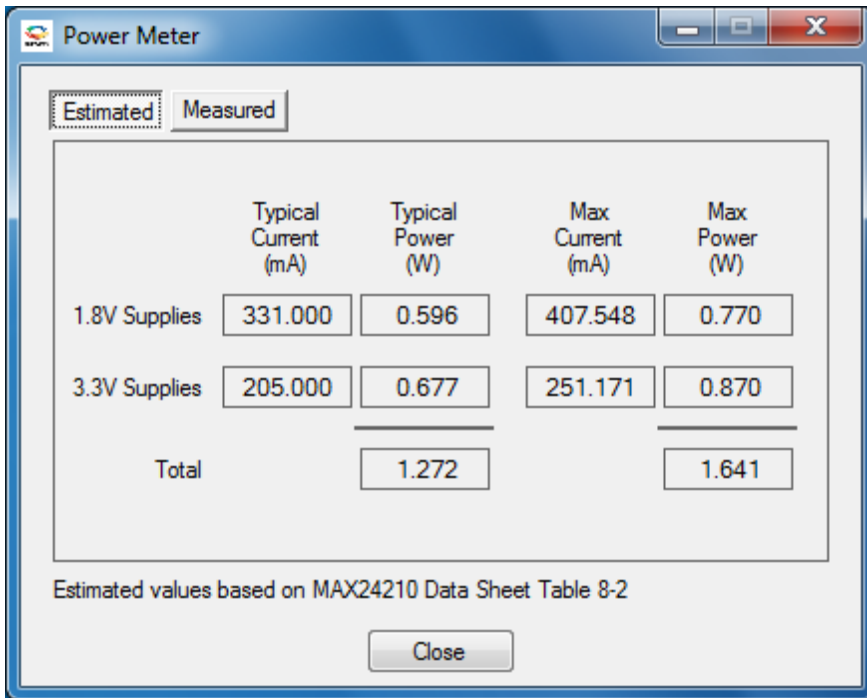
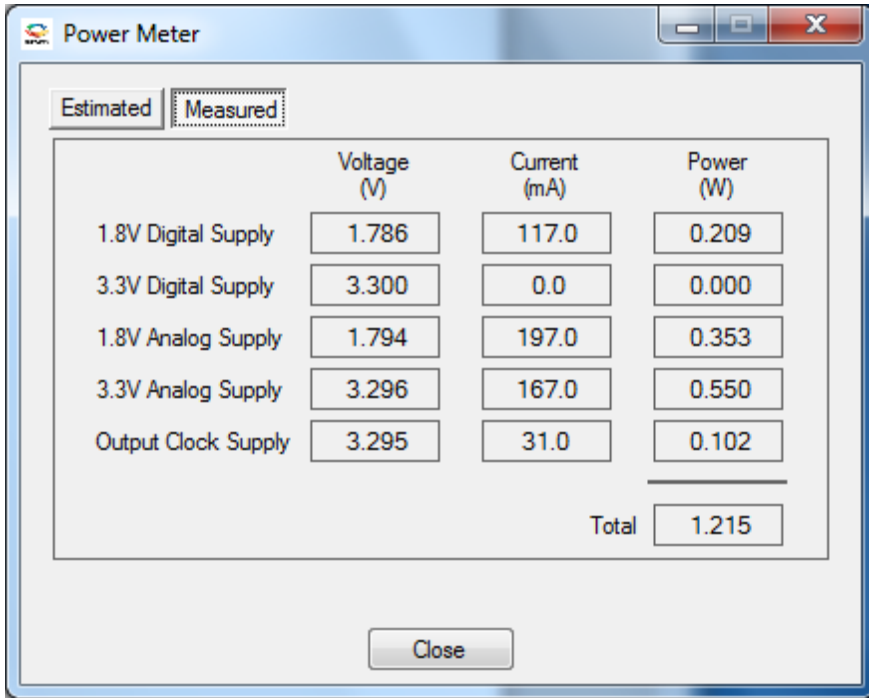


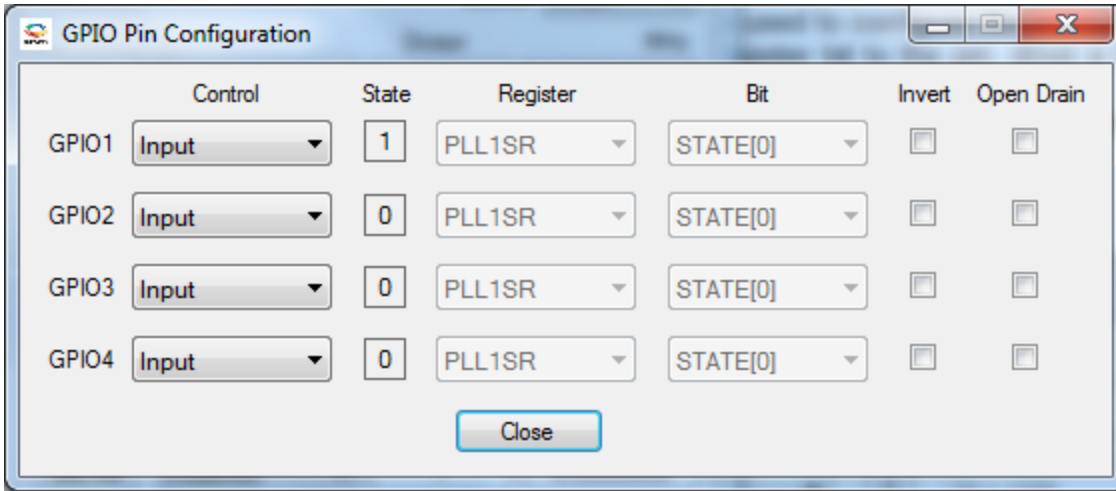
Figure 11. Power Meter Menu, Measured Mode



4.8 I/O Pin Configuration Menu

The I/O Pin Configuration sub-menu shown in Figure 12 is accessed by pressing the **I/O Pins** button on the main menu. This menu is used to configure device's four GPIO pins. Each I/O pin can be configured to map a device status register bit to the pin, drive a 0 or 1, or be an input pin. Additionally this menu can be used to configure the output to be inverted or open-drain. Output signal inversion can only be applied to a GPIO pin that is configured to output the state of a status register bit.

Figure 12. I/O Pin Configuration Menu

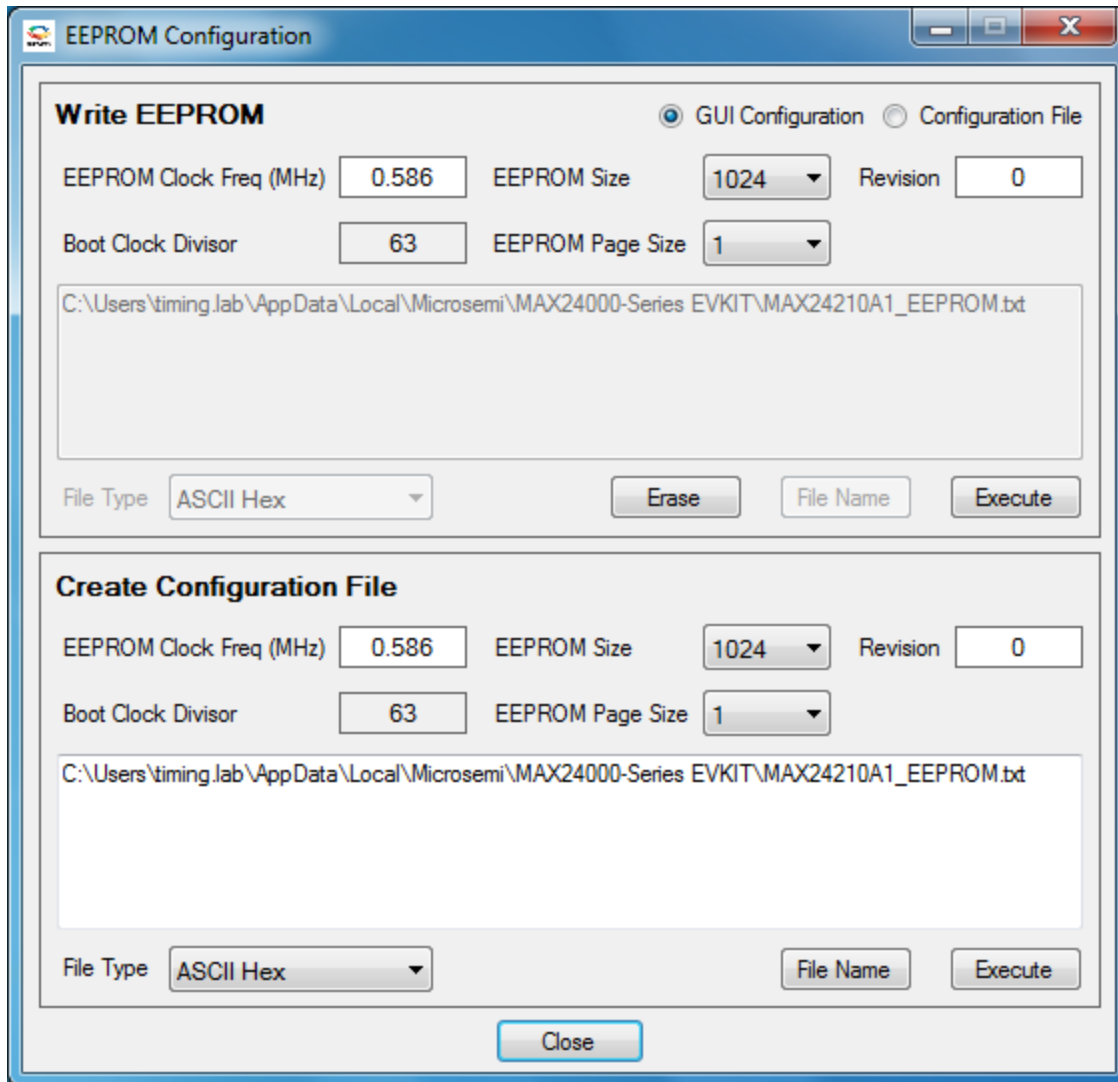


4.9 EEPROM Menu

The EEPROM sub-menu shown in [Figure 13](#) is accessed by pressing the **EEPROM** button on the main menu. This menu can be used to save the current GUI configuration to an EEPROM configuration file for later use by either the EVKIT software or a third-party tool. Additionally, this menu can be used to program the EVKIT EEPROM with either the current GUI configuration or an EEPROM configuration file.

The EVKIT software must be connected to an EVKIT board and not be in demo mode to program the EEPROM. However, an EEPROM configuration file can be created in demo mode or when connected to an EVKIT board.

Figure 13. EEPROM Menu



4.10 Register View Menu

When the main menu Register View button is pressed, the Register View window shown in Figure 14 is launched. This window can be used to view and edit the entire device register set.

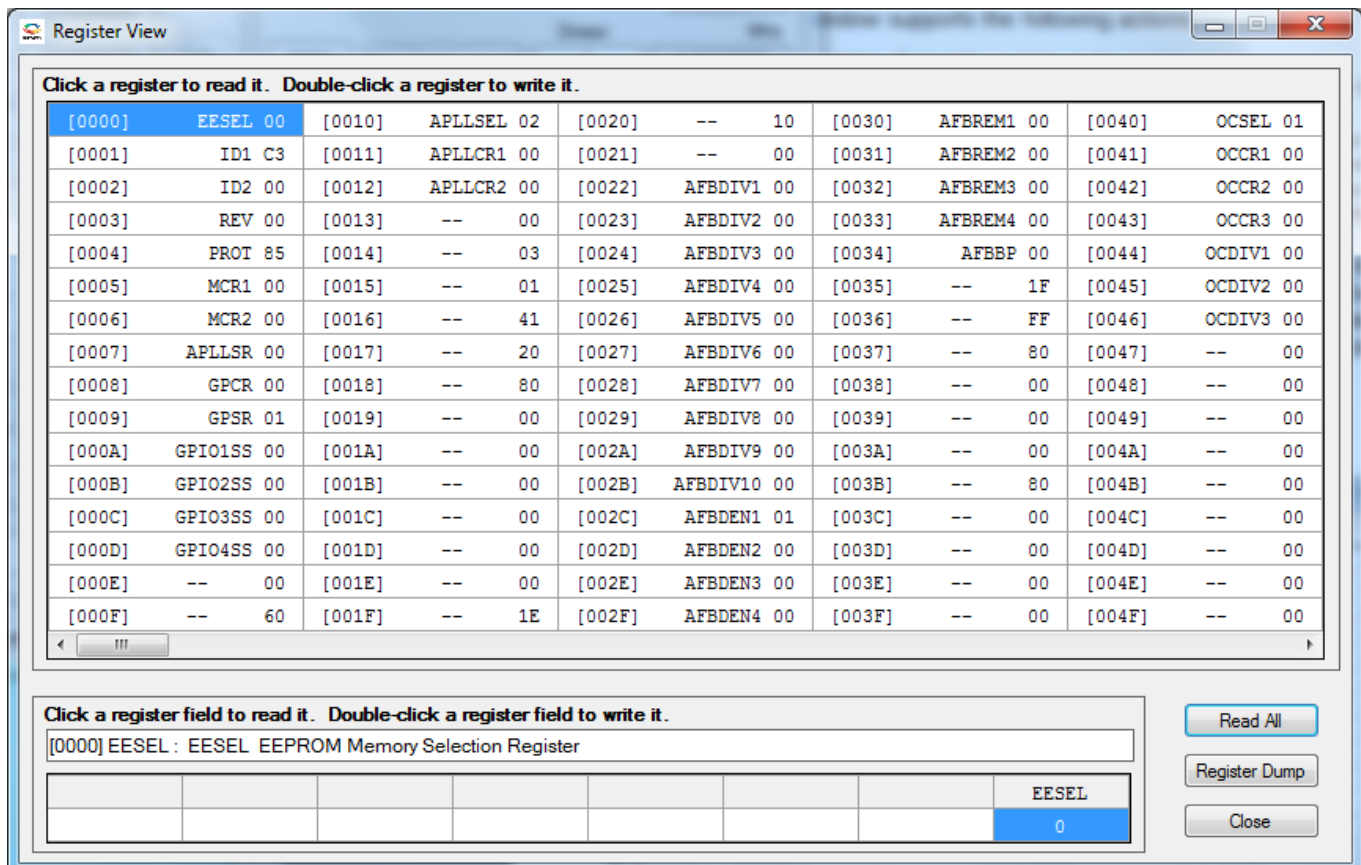
The large grid that takes up most of the window displays the device register map. For each register, its hexadecimal address in square brackets is followed by its register name and its contents in two-digit hex format. When a register is clicked in the main register grid, its register description and fields are displayed at the bottom of the window.

The Register View window supports the following actions:

- ◆ **Read a register.** Select the register in the register map.
- ◆ **Read a register field.** Select the register in the map or the register field at the bottom of the window.
- ◆ **Read all registers.** Press the **Read All** button.
- ◆ **Write a register.** Double-click the register name in the register map and enter the value to be written.
- ◆ **Write a register field.** Select the register, double-click the field, and enter the value to be written.
- ◆ **Write a multi-register field.** Double-click one of the register names and enter the value for the field.
- ◆ **Write a complete device register dump to a text file.** Press the **Register Dump** button.

When using the Register View window it is important to remember that APLL, output clock, and input clock registers are bank-switched by the APLLSEL (0x0010), OCSEL (0x00C0), and ICSEL (0x0050) registers, respectively. Refer to the device data sheet register map for more details. It is also important to remember that all DPLL and Input Clock Block registers are only accessible if these blocks have been provided a valid master clock.

Figure 14. Register View Menu



The screenshot shows the Register View window with a grid of registers and a detailed view of the selected register.

Register Grid:

| Address | Name | Value | Address | Name | Value | Address | Name | Value | Address | Name | Value |
|---------|------------|-------|---------|------------|-------|---------|-------------|-------|---------|------------|-------|
| [0000] | EESEL 00 | | [0010] | APLLSEL 02 | | [0020] | -- 10 | | [0030] | AFBREM1 00 | |
| [0001] | ID1 C3 | | [0011] | APLLCR1 00 | | [0021] | -- 00 | | [0031] | AFBREM2 00 | |
| [0002] | ID2 00 | | [0012] | APLLCR2 00 | | [0022] | AFBDIV1 00 | | [0032] | AFBREM3 00 | |
| [0003] | REV 00 | | [0013] | -- 00 | | [0023] | AFBDIV2 00 | | [0033] | AFBREM4 00 | |
| [0004] | PROT 85 | | [0014] | -- 03 | | [0024] | AFBDIV3 00 | | [0034] | AFBBP 00 | |
| [0005] | MCR1 00 | | [0015] | -- 01 | | [0025] | AFBDIV4 00 | | [0035] | -- 1F | |
| [0006] | MCR2 00 | | [0016] | -- 41 | | [0026] | AFBDIV5 00 | | [0036] | -- FF | |
| [0007] | APLLSR 00 | | [0017] | -- 20 | | [0027] | AFBDIV6 00 | | [0037] | -- 80 | |
| [0008] | GPCR 00 | | [0018] | -- 80 | | [0028] | AFBDIV7 00 | | [0038] | -- 00 | |
| [0009] | GPSR 01 | | [0019] | -- 00 | | [0029] | AFBDIV8 00 | | [0039] | -- 00 | |
| [000A] | GPIO1SS 00 | | [001A] | -- 00 | | [002A] | AFBDIV9 00 | | [003A] | -- 00 | |
| [000B] | GPIO2SS 00 | | [001B] | -- 00 | | [002B] | AFBDIV10 00 | | [003B] | -- 80 | |
| [000C] | GPIO3SS 00 | | [001C] | -- 00 | | [002C] | AFBDEN1 01 | | [003C] | -- 00 | |
| [000D] | GPIO4SS 00 | | [001D] | -- 00 | | [002D] | AFBDEN2 00 | | [003D] | -- 00 | |
| [000E] | -- 00 | | [001E] | -- 00 | | [002E] | AFBDEN3 00 | | [003E] | -- 00 | |
| [000F] | -- 60 | | [001F] | -- 1E | | [002F] | AFBDEN4 00 | | [003F] | -- 00 | |
| [0040] | OCSEL 01 | | | | | | | | [0041] | OCCR1 00 | |
| | | | | | | | | | [0042] | OCCR2 00 | |
| | | | | | | | | | [0043] | OCCR3 00 | |
| | | | | | | | | | [0044] | OCDIV1 00 | |
| | | | | | | | | | [0045] | OCDIV2 00 | |
| | | | | | | | | | [0046] | OCDIV3 00 | |
| | | | | | | | | | [0047] | -- 00 | |
| | | | | | | | | | [0048] | -- 00 | |
| | | | | | | | | | [0049] | -- 00 | |
| | | | | | | | | | [004A] | -- 00 | |
| | | | | | | | | | [004B] | -- 00 | |
| | | | | | | | | | [004C] | -- 00 | |
| | | | | | | | | | [004D] | -- 00 | |
| | | | | | | | | | [004E] | -- 00 | |
| | | | | | | | | | [004F] | -- 00 | |

Register Detail View:

Click a register field to read it. Double-click a register field to write it.

[0000] EESEL : EESEL EEPROM Memory Selection Register

| Field | Value |
|-------|-------|
| EESEL | 0 |

Buttons: Read All, Register Dump, Close

4.11 Configuration Scripts and Log Files

4.11.1 Configuration Log File

Every write command issued by the software to the EVKIT board is logged in a file. The file naming convention for the default log file name is [DEVICE][REV]_EVKIT_Log.mfg. The default location of the log file is the application data directory specified when the EVKIT software is installed. As an example, if the default application data directory is chosen when the EVKIT software is installed and the selected device is a MAX24310 revA1, the corresponding log file would be:

Windows XP:

```
C:\Documents and Settings\All Users\Application Data\Microsemi\MAX24000-Series  
EVKIT\MAX24310A1_EVKIT_Log.mfg
```

Windows 7:

```
C:\Users\<USER_NAME>\AppData\Local\Microsemi\MAX24000-Series  
EVKIT\MAX24310A1_EVKIT_Log.mfg
```

The log file can be viewed in Notepad by pressing the Log File button in the lower-left corner of the main window.

Command line option "-l <filepath>" can be used to change the log file name and location.

4.11.2 Configuration Scripts

Configuration scripts are useful for quickly configuring a device without having to remember all the required settings. Two types of configuration scripts are possible: full and partial. A full configuration script contains register writes for all configuration registers in the device. A partial configuration script contains register writes for only those registers that have been changed from their reset values. A partial configuration script can be used to initialize a device following reset using the minimum number of device accesses.

Certain aspects of configuring a MAX24000-Series device require a specific initialization sequence. The configuration scripts created using the **Create Config Script** menu adhere to those requirements.

4.11.2.1 Device Initialization Script

The device initialization script contains an application independent device configuration that optimizes device performance. Each MAX24000-Series device has a unique initialization script file. This script should be loaded as the first step in device configuration as described in the following sections. The initialization script file name is [DEVICE][REVISION]_Startup.mfg (where [DEVICE] indicates device part number and [REVISION] indicates device revision. All device startup configuration scripts are located in the application data directory in the sub-directory Scripts\Startup Scripts. As an example, the initialization script file for the MAX24310 revA1 is:

Windows XP:

```
C:\Documents and Settings\All Users\Application Data\Microsemi\24000-Series EVKIT\Scripts\Startup  
Scripts\MAX24310A1_Startup.mfg
```

Windows 7:

```
C:\Users\<USER_NAME>\AppData\Local\Microsemi\MAX24000-Series EVKIT\Scripts\Startup  
Scripts\MAX24310A1_Startup.mfg
```

The startup configuration script can be edited or replaced as needed to change the initial configuration of the device. Be aware, however, that the section of the file labeled “Required Initialization” must be executed after device power-up or reset for the device to operate correctly.

4.11.2.2 *Creating a Full Configuration Script in Demo Mode*

Perform the following sequence to create a full configuration script in Demo Mode:

1. Start the EVKIT software
2. Load the appropriate device initialization script using the **Run Config Script** button
3. Configure the device using the EVKIT software GUI menus
4. Press the **Create Config Script** button in the lower-left corner of the main menu
5. On the **Create Config Script** pop-up menu, specify the file name and location, and check the **Include configuration registers that are still set to their reset values** checkbox
6. On the **Create Config Script** pop-up menu, press the **Create** button

If the specified file already exists, a pop-up message is displayed to confirm that the file should be overwritten. After the configuration file is created, it is displayed in Notepad for review.

4.11.2.3 *Creating a Partial Configuration Script in Demo Mode*

Perform the following sequence to create a full configuration script in Demo Mode:

1. Start the EVKIT software
2. Load the appropriate device initialization script using the **Run Config Script** button
3. Configure the device using the EVKIT software GUI menus
4. Press the **Create Config Script** button in the lower-left corner of the main menu
5. On the **Create Config Script** pop-up menu, specify the file name and location, and un-check the **Include configuration registers that are still set to their reset values** checkbox
6. On the **Create Config Script** pop-up menu, press the **Create** button

If the specified file already exists, a pop-up message is displayed to confirm that the file should be overwritten. After the configuration file is created, it is displayed in Notepad for review.

4.11.2.4 *Creating a Full Configuration Script While Communicating With an EVKIT*

Perform the following sequence to create a full configuration script while communicating with an EVKIT:

1. Start the EVKIT software
2. Uncheck the **Demo Mode** check box in the upper left section of the main menu
3. On the **Run Config Script** pop-up menu, press the **Initialize** button to load the device initialization script
4. Configure the device using the EVKIT software GUI menus
5. Press the **Create Config Script** button in the lower-left corner of the main menu
6. On the **Create Config Script** pop-up menu, specify the file name and location, and check the **Include configuration registers that are still set to their reset values** checkbox
7. On the **Create Config Script** pop-up menu, press the **Create** button

If the specified file already exists, a pop-up message is displayed to confirm that the file should be overwritten. After the configuration file is created, it is displayed in Notepad for review.

4.11.2.5 *Creating a Partial Configuration Script While Communicating With an EVKIT*

Perform the following sequence to create a full configuration script while communicating with an EVKIT:

1. Start the EVKIT software
2. Uncheck the **Demo Mode** check box in the upper left section of the main menu
3. On the **Run Config Script** pop-up menu, press the **Initialize** button to load the device initialization script
4. Configure the device using the EVKIT software GUI menus
5. Press the **Create Config Script** button in the lower-left corner of the main menu
6. On the **Create Config Script** pop-up menu, specify the file name and location, and un-check the **Include configuration registers that are still set to their reset values** checkbox
7. On the **Create Config Script** pop-up menu, press the **Create** button

If the specified file already exists, a pop-up message is displayed to confirm that the file should be overwritten. After the configuration file is created, it is displayed in Notepad for review.

4.11.2.6 *Running a Configuration Script*

Perform the following sequence to run a configuration script

1. Press the **Run Config Script** button in the lower-left corner of the main window
2. On the **Run Config Script** pop-up menu, specify the file name and location
3. On the **Run Config Script** pop-up menu, press the **Execute** button.

A configuration script can be run while in Demo Mode or communicating with an EVKIT.

4.11.2.7 EVKIT Log File

While the EVKIT software is running, a log file is maintained of all device configurations that are performed. This includes any GUI menu updates that correspond to device register writes as well as any register writes performed when a configuration script is run. The log file can be viewed by pressing the **View Log File** button at the bottom of the main menu. This log file should not be used as a substitute for the device configuration script created using the **Create Config Script** button as described above in this section.

5. EVKIT Errata

None.

6. Revision History

| REVISION DATE | DESCRIPTION |
|------------------|---------------------------------------|
| 12/20/12 | First version for EVKIT revB assembly |

7. Bill of Materials

Figure 15. EVKIT Bill of Materials

| DESIGNATION | QTY | DESCRIPTION | SUPPLIER | PART |
|--|-----|--|----------|-----------------|
| Common Components | | | | |
| B1, B2, B3, B4, B5, B6, B7, B8, B9, B10, FB1, FB2, FB3, FB4 | 14 | GHZ NOISE CHIP FERRITE BEAD, .25 OHM DC, 600 OHM @100MHz, 600 OHM @1GHz, 800mA | MURATA | BLM18HE601SN1D |
| C19, C20, C21, C22, C23, C26, C27, C29, C30, C35, C36, C38, C39, C41, C42, C43, C44, C45, C47, C58, C60, CB61, CB117, CB169 | 24 | CAP CER 3.3UF 4.0V X5R 0402 | AMK | AMK105BJ335MV-F |
| C14, C28, CB5, CB8, CB11, CB12, CB18, CB19, CB48, CB54, CB55, CB65, CB71, CB73, CB74, CB76, CB77, CB78, CB79, CB81, CB82, CB84, CB93, CB99, CB115, CB129, CB139, CB140, CB142, CB143, CB144, CB147 | 32 | 0603 CERAM 1.0uF 6.3V 10% MULTILAYER | PAN | ECJ-1VB0J105K |
| C15, C54, CB23, CB28, CB40, CB66, CB67, CB68, CB69, CB70, CB83, CB146, CB151 | 13 | L_0603 CERAM .1uF 16V 20% X7R | AVX | 0603YC104MAT |
| C7, C8, C9, C10, C13, C17, CB7, CB9, CB13, CB17, CB21, CB24, CB30, CB32, CB34, CB35, CB36, CB38, CB56, CB57, CB63, CB72, CB125, CB137 | 24 | 0603 CERAM 10uF 6.3V 20% MULTILAYER | PAN | ECJ-1VB0J106M |
| C11, C12, C16, C18, C24, C31, C32, C33, C37, C46, C48, C49, C50, C52, C53, C55, C56, C57, C59, C61, C62, CB37, CB39, CB41, CB42, CB43, CB44, CB45, CB47, CB49, CB50, CB51, CB52, CB53, CB58, CB64, CB94, CB95, CB98, CB102, CB103, CB104, CB106, CB107, CB108, CB110, CB111, CB112, CB113, CB116, CB119, CB120, CB123, CB124, CB127, CB128, CB130, CB131, CB136, CB145, CB149, CB154, CB155, CB158, CB162, CB163, CB164, CB165 | 68 | 0402 CERAM 0.1uF 16V 10% | PAN | ECJ-0EB1C104K |
| C51, CB148, CB153 | 3 | L_0603 CERAM .001uF 50V 10% | PAN | ECJ-1VB1H102K |
| CB20 | 1 | CAPACITOR, TANT 68uF 16V 20% | NICHICON | F931C686MNC |
| C25, C34, C40, C63, C65, CB6, CB10, CB14, CB15, CB16, CB22, CB26, CB29, CB33, CB46, CB59, CB60, CB62, CB75, CB80, CB86, CB87, CB88, CB89, CB90, CB91, CB92, CB97, CB105, CB118, CB122, CB126, CB132, CB133, CB134, CB135, CB138, CB141, CB150, CB152, CB160 | 41 | 0603 CERAM 4.7uF 6.3V 10% MULTILAYER | PAN | ECJ-1VB0J475K |
| CB156, CB157, CB159, CB166, CB167, CB168 | 6 | L_0603 CERAM .01uF 50V 10% X7R | AVX | 06035C103KAT |
| CB161 | 1 | D CASE TANT 68uF 16V 20% | PAN | ECS-T1CD686R |

| DESIGNATION | QTY | DESCRIPTION | SUPPLIER | PART |
|---|-----|--|------------|-------------------|
| CB25, CB27 | 2 | 0603 CERAM 22pF 50V 5% | PAN | ECJ-1VC1H220J |
| CB31 | 1 | 0805 CERAM .47uF 16V 10% | PAN | ECJ-2YB1C474K |
| DB3, DB6 | 2 | DIODE 1A 50V SMD | DIODES INC | STAB-13-F |
| DB1, DB2, DB4, DB5 | 4 | SCHOTTKY DIODE, 1 AMP 40 VOLT (OK TO SUBSTITUTE Vishay VS-10BQ040PBF) | IRF | 10BQ040PBF |
| DS1, DS4, DS5 | 3 | L_LED, GREEN, SMD | PAN | LN1351C |
| DS2, DS3, DS6, DS7, DS8, DS9, DS10 | 7 | LED, RED, SMD | PAN | LN1251C |
| TP12, GND_TP2, GND_TP3, GND_TP4, GND_TP5, GND_TP6, GND_TP7 | 7 | STANDARD GROUND CLIP | KEYSTONE | 4954 |
| HB1, HB2, HB3, HB4, HB5, HB6, HB7, HB8, HB9, HB10, HB11 | 11 | Rubber bumper 0.5 inch | NA | SJ5518-0 |
| J1, J14, J19 | 3 | L_TERMINAL STRIP, 10 PIN, DUAL ROW, VERT | STC | TSW-105-07-T-D |
| J2 | 1 | L_TERMINAL STRIP, 6 PIN, DUAL ROW, VERT | STC | TSW-103-07-T-D |
| J3 | 1 | 2.0MM SURFACE MOUNT POWER JACK | CUJI INC | PJ-002AH-SMT |
| J31, J36, J45, J53, J54 | 5 | TERMINAL STRIP, 6 PIN, DUAL ROW, VERT | STC | TSW-103-07-T-D |
| J4 | 1 | CONN, USB, TYPE B SINGLE RT ANGLE | MOL | 67068-8000 |
| J5, J6, J7, J8, J9, J26, J44 | 7 | TERMINAL STRIP, 10 PIN, DUAL ROW, VERT | NA | NA |
| JMP1, JMP2, JMP3, JMP4, JMP5, JMP6, JMP8, JMP10, JMP23, JMP24, JMP25, JMP26, JMP28, JMP30 | 14 | L_HEADER, 3- PIN, .100 CENTERS, VERTICAL | STC | TSW-103-07-T-S |
| JMP7, JMP9, JMP11, JMP12, JMP13, JMP14, JMP17, JMP18, JMP19, JMP27, JMP29, JMP31, JMP32 | 13 | L_2 PIN HEADER, .100 CENTERS, VERTICAL | STC | TSW-102-07-T-S |
| R51, R52, R63, R64, R65, R66, R67, R68, R69, R70, R71, R72, R73, R74, R75, R76, R77, R78 | 18 | RES 0402 30.0 OHM 1/16W 1% | PAN | ERJ-2RKF30R0X |
| R79, R80, R81, R82 | 4 | RES 0402 30.0 OHM 1/16W 1% | PAN | ERJ-2RKF30R0X |
| R15, R16, R17, R19 | 4 | RES 0603 0.0 Ohm 1/16W 5% | PAN | ERJ-3GEY0R00V |
| RB13, RB15, RB16, RB19, RB30, RB31, RB32, RB38 | 8 | RES 0402 1.00 KOHM 1/16W 1% | PAN | ERJ-2RKF1001X |
| R28, R29, R34, R35, R41, R42, R56, R57 | 8 | RES 0402 49.9 OHM 1/16W 1% | PAN | ERJ-2RKF49R9X |
| R3, RB20, RB22, RB25, RB26, RB33 | 6 | RES 0603 332 Ohm 1/16W 1% | PAN | ERJ-3EKF3320V |
| R4, R6, R26, R27, R53, R54, RB1, RB2, RB28, RB29, RB36, RB40 | 12 | RES 0603 10.0K Ohm 1/16W 1% | PAN | ERJ-3EKF1002V |
| R45, RB34, RB37 | 3 | RES 0402 100 OHM 1/16W 1% | PAN | ERJ-2RKF1000X |
| R5, RB3, RB4, RB8, RB9, RB11 | 6 | Current Sensing Resistor 0.02 ohm | Ohmite | LVK12R020DERCT-ND |
| C52, R7, R8, R9, R10, R11, R12, R13, R14, R18, R20, R21, R22, R30, R31, R32, R33, R36, R37, R38, R39, R46, R47, R48, R49, R50, R55, R58, R148, RB39, RB42 | 31 | RES 0402 0 OHM 1/10W 5% | PAN | ERJ-2GE0R00X |
| RB10 | 1 | RES 0603 100K Ohm 1/16W 1% | PAN | ERJ-3EKF1003V |
| RB12, RB14, RB17, RB18, RB21, RB23, RB24, RB27 | 8 | RES 0603 330 Ohm 1/16W 5% | PAN | ERJ-3GEYJ331V |
| RB5, RB6 | 2 | RES 0603 33.2 Ohm 1/16W 1% | PAN | ERJ-3EKF33R2V |
| RB7 | 1 | RES 0603 1.00M Ohm 1/16W 1% | PAN | ERJ-3EKF1004V |
| SW1 | 1 | SWITCH MOM 4PIN SINGLE POLE | PAN | EVQPAE04M |
| TP2, TP3, TP4, TP5, TP7, TP8, TP9, TP10, TP11 | 9 | TESTPOINT, 1 PLATED HOLE RED | KEYSTONE | 5000R |
| U1 | 1 | IC, HCS08 8-BIT MICROCONTROLLER, 32K FLASH, 2K RAM, 2 UART, 2 SPI, I2C, USB, -40 TO 85C, 64 PIN LQFP | FREESCALE | MC9S08JM32CLH-ND |
| UB20 | 1 | Single/Dual LVDS Line Receiver | Maxim | MAX9111EKA+ |
| UB5, UB6, UB13, UB21 | 4 | LINEAR REGULATOR, 3.3V, 16 PIN TSSOP-EP | MAX | MAX1793EUE33V+-ND |
| U2, UB1, UB2, UB7, UB8, UB14 | 6 | Precision Current-Sense Amplifier | MAXIM | MAX9610FEXK+T |
| UB10 | 1 | LINEAR REGULATOR, 1.5V, 16 PIN TSSOP-EP | MAX | MAX1793EUE-15 |

| DESIGNATION | QTY | DESCRIPTION | SUPPLIER | PART |
|--|-----|--|-----------|---------------------------|
| UB11 | 1 | MICROPROCESSOR VOLTAGE MONITOR, 3.08V RESET, 4 PIN SOT143, LEAD-FREE | MAX | MAX811TEUS+T |
| UB12 | 1 | ULTRA-HIGH-PRECISION, ULTRA-LOW-NOISE SERIES VOLTAGE REFERENCE, 4.096V, 8 PIN UMAX | MAX | MAX6126BASA41+ |
| UB15, UB16, UB17, UB18, UB19 | 5 | HIGH SPEED BUFFER | FAIRCHILD | NC7SZ86 |
| UB23 | 1 | Low-Voltage DDR Linear Regulators Sink, Source up to 3A | MAXIM | MAX1510ETB+ |
| UB3, UB4 | 2 | LINEAR REGULATOR, 1.8V, 16 PIN TSSOP-EP, ROHS/LEAD-FREE | MAX | MAX1793EUE18+ |
| UB9 | 1 | LINEAR REGULATOR, 2.5V, 16 PIN TSSOP-EP | MAX | MAX1793EUE-25+ |
| X1 | 1 | XTAL, HC49SD, 12.0000MHZ +/-50PPM, CL=20PF | FOX | FOXSDLF-120-20 |
| Y9 | 1 | VECTRON OSC OUTLINE WITH TERMINAL SOCKET, 10-PIN, 2 ROW VERTICAL. | STC | SSW-105-01-T-D |
| J10, J11, J12, J13, J15, J16, J17, J18, J20, J21, J22, J23, J24, J25, J27, J28, J29, J30, J32, J33, J34, J35, J37, J38, J39, J40, J41, J42, J43, J46, J47, J48, J49, J50, J51, J52 | 36 | CONNECTOR, SMB, 50 OHM VERTICAL, 5PIN | AMP | 413990-1 |
| MAX24210 EVKIT Specific Components | | | | |
| U5 | 1 | 10-Output Any-Rate Timing IC | MICROSEMI | MAX24210EXG+ |
| Y7 | 1 | OSC ILLATOR, RAKON TCXO, 3.3V, 20.48 MHZ, 3mmX5mm SMD | RAKON | TX6287-20.480M |
| Y8 | 1 | OSCILLATOR, VECTRON XO, 3.3V, 98.304MHZ, 4 PIN 5x7mm SMD | VECTRON | VCC1-1541-98M304000 |
| Y4 | 1 | 8 PIN DIP SOCKET | ATM | 8 DIP SOCKET |
| U3 | 1 | SPI SERIAL EEPROM 2M 8 PIN SOIC 2.7V TO 3.6V | ATMEL | AT25160B-SSHL-B |
| NA | 1 | 49.152MHz Crystal Daughter Card | MICROSEMI | Figure 17 |
| MAX24310 EVKIT Specific Components | | | | |
| U5 | 1 | 10-Output Any-Rate Timing IC with Internal EEPROM | MICROSEMI | MAX24310EXG+ |
| Y7 | 1 | OSC ILLATOR, RAKON TCXO, 3.3V, 20.48 MHZ, 3mmX5mm SMD | RAKON | TX6287-20.480M |
| Y8 | 1 | OSCILLATOR, VECTRON XO, 3.3V, 98.304MHZ, 4 PIN 5x7mm SMD | VECTRON | VCC1-1541-98M304000 |
| NA | 1 | 49.152MHz Crystal Daughter Card | MICROSEMI | Figure 17 |
| MAX24410 EVKIT Specific Components | | | | |
| U5 | 1 | 10-Output Any-Rate Clock Multiplier | MICROSEMI | MAX24410EXG+ |
| Y8 | 1 | OSCILLATOR, VECTRON XO, 3.3V, 78.125MHZ, 4 PIN 5x7mm SMD | VECTRON | VCC1-1539-78M1250000 |
| Y4 | 1 | 8 PIN DIP SOCKET | ATM | 8 DIP SOCKET |
| U3 | 1 | SPI SERIAL EEPROM 2M 8 PIN SOIC 2.7V TO 3.6V | ATMEL | AT25160B-SSHL-B |
| NA | 1 | 50MHz Crystal Daughter Card | MICROSEMI | Figure 16 |
| MAX24510 EVKIT Specific Components | | | | |
| U5 | 1 | 10-Output Any-Rate Clock Multiplier with Internal EEPROM | MICROSEMI | MAX24510EXG+ |
| Y8 | 1 | OSCILLATOR, VECTRON XO, 3.3V, 78.125MHZ, 4 PIN 5x7mm SMD | VECTRON | VCC1-1539-78M1250000 |
| NA | 1 | 49.152MHz Crystal Daughter Card | MICROSEMI | Figure 16 |

| MAX24610 EVKIT Specific Components | | | | |
|------------------------------------|---|---|-----------|---------------------------|
| U5 | 1 | 10-Output Any-Rate Line Card Timing IC | MICROSEMI | MAX24610EXG+ |
| Y7 | 1 | OSC ILLATOR, RAKON TCXO, 3.3V, 20.48 MHZ, 3mmX5mm SMD | RAKON | TX6287-20.480M |
| Y8 | 1 | OSCILLATOR, VECTRON XO, 3.3V, 98.304MHZ, 4 PIN 5x7mm SMD | VECTRON | VCC1-1541-98M304000 |
| Y4 | 1 | 8 PIN DIP SOCKET | ATM | 8 DIP SOCKET |
| U3 | 1 | SPI SERIAL EEPROM 2M 8 PIN SOIC 2.7V TO 3.6V | ATMEL | AT25160B-SSHL-B |
| NA | 1 | 49.152MHz Crystal Daugher Card | MICROSEMI | Figure 17 |
| MAX24710 EVKIT Specific Components | | | | |
| U5 | 1 | 10-Output Any-Rate Line Card Timing IC with Internal EEPROM | MICROSEMI | MAX24710EXG+ |
| Y7 | 1 | OSC ILLATOR, RAKON TCXO, 3.3V, 20.48 MHZ, 3mmX5mm SMD | RAKON | TX6287-20.480M |
| Y8 | 1 | OSCILLATOR, VECTRON XO, 3.3V, 98.304MHZ, 4 PIN 5x7mm SMD | VECTRON | VCC1-1541-98M304000 |
| NA | 1 | 49.152MHz Crystal Daugher Card | MICROSEMI | Figure 17 |

Figure 16. EVKIT 50MHz Crystal Daugher Card Bill of Materials

| 50MHz Crystal Daugher Card | | | | |
|----------------------------|---|--|---------|---------------------|
| XDC_X1 | 1 | Crystal, 50MHz +/-20ppm, CL=10pf | VECTRON | VXM7-1148-50M000000 |
| XDC_C1, XDC_C2 | 2 | Capacitor, ceramic, 16PF, 100V, 1%, 0603 | AVX | 06031U160FAT2A |
| XDC_R1 | 1 | RES 0603 1.00M Ohm 1/16W 1% | PAN | ERJ-3EKF1004V |
| XDC_R2 | 1 | RES 0603 1.21M Ohm 1/16W 1% | PAN | ERJ-3EKF1211V |

Figure 17. EVKIT 49.152MHz Crystal Daugher Card Bill of Materials

| 49.152MHz Crystal Daugher Card | | | | |
|--------------------------------|---|--|---------|---------------------|
| XDC_X1 | 1 | Crystal, 49.152MHz +/-20ppm, CL=10pf | VECTRON | VXM7-1149-49M152000 |
| XDC_C1, XDC_C2 | 2 | Capacitor, ceramic, 16PF, 100V, 1%, 0603 | AVX | 06031U160FAT2A |
| XDC_R1 | 1 | RES 0603 1.00M Ohm 1/16W 1% | PAN | ERJ-3EKF1004V |
| XDC_R2 | 1 | RES 0603 1.21M Ohm 1/16W 1% | PAN | ERJ-3EKF1211V |

8. Schematics

See the following pages.

B

7

6

5

4

3

2

1

Table of contents

| Page# | Content |
|-------|--|
| 1 | Title page |
| 2 | MAX24310 IO and microprocessor interface |
| 3 | Voltage regulators for 3.3V |
| 4 | Power selection and filtering for MAX24310 3.3V |
| 5 | Power selection and filtering for MAX24310 1.8V |
| 6 | Power selection and filtering for MAX24310 VDDO[a,b,c,d] |
| 7 | Voltage regulators for 1.8V |
| 8 | Microprocessor and USB |
| 9 | Oscillators for MCLK |
| 10 | IC1 and IC2 |
| 11 | OC[1:10] |
| 12 | Spare SMB test structures |
| 13 | GPIO |
| 14 | Power for MAX24310 |
| 15 | Oscillator footprint adapter (separate board) |

D

D

C

C

B

B

A

A

| | | | |
|-----------|----------------|-------|------------|
| TITLE: | MAX24310 REV B | DATE: | 12-20-2012 |
| ENGINEER: | | PAGE: | 1 OF 15 |

B

7

6

5

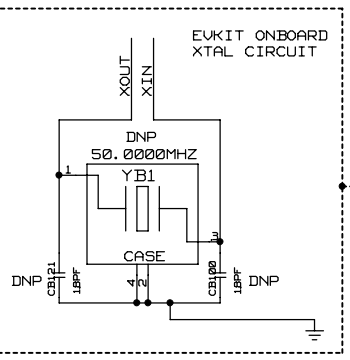
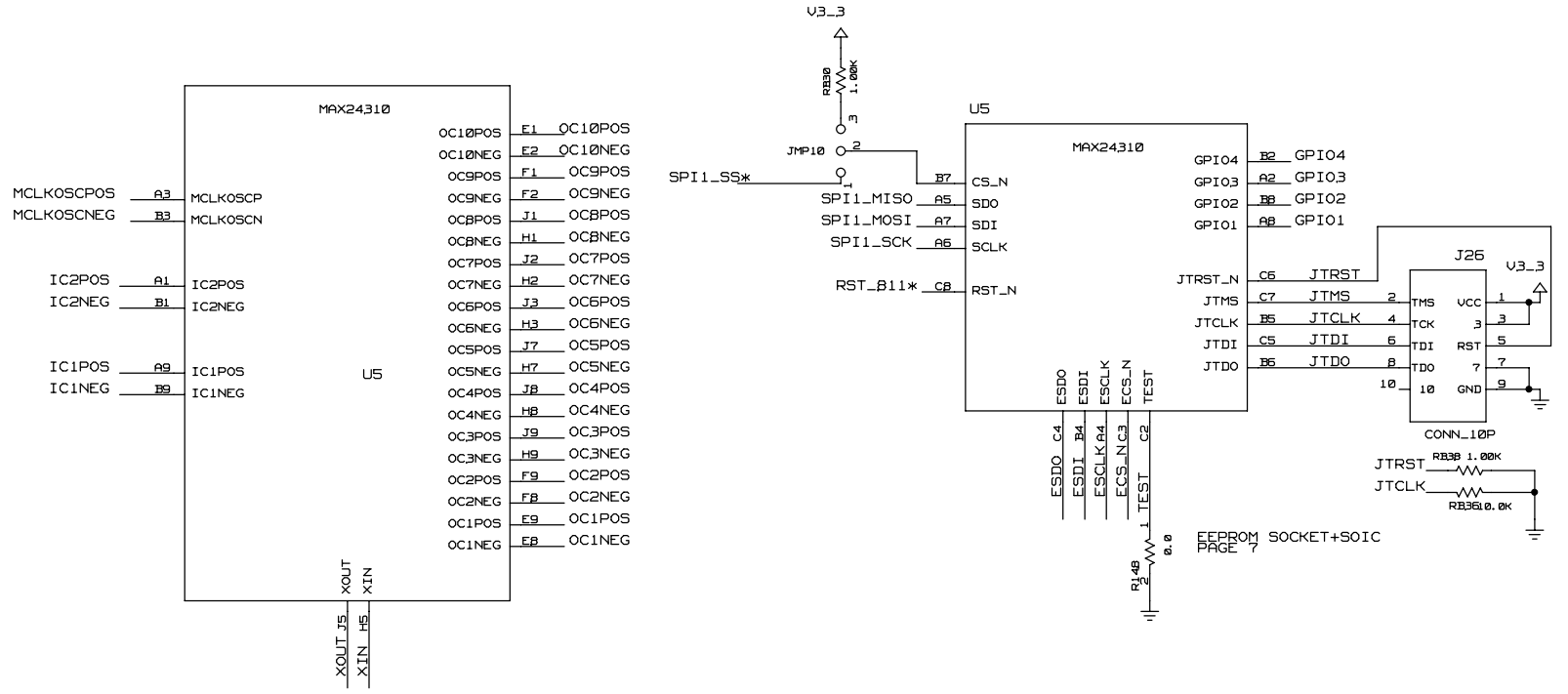
4

3

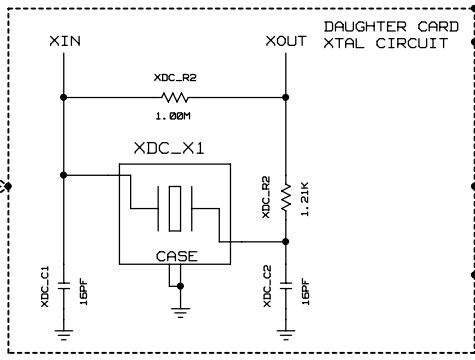
2

1

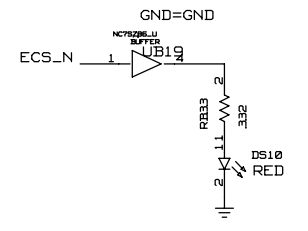
B 7 6 5 4 3 2 1



EUKIT ONBOARD XTAL CIRCUIT REPLACED BY DAUGHTER CARD XTAL CIRCUIT

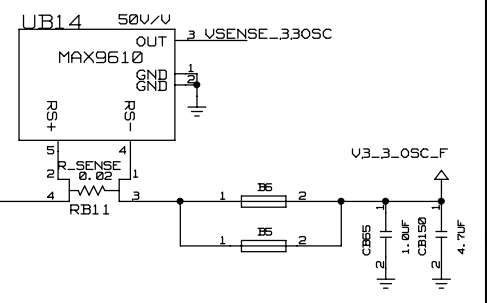
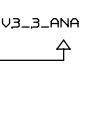
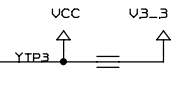
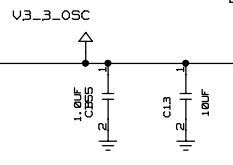
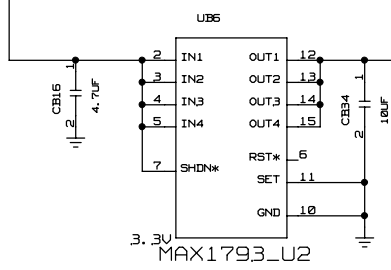
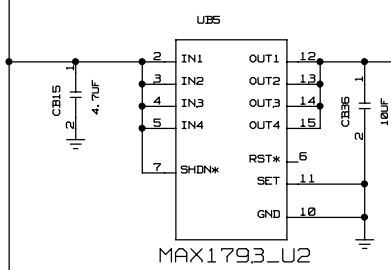
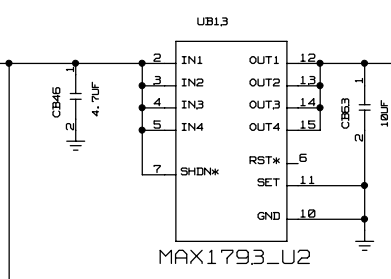
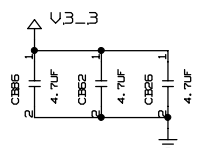
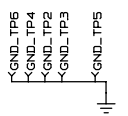
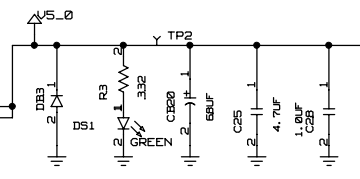
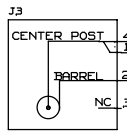


| DEVICE | XDC_X1 FREQ |
|----------|-------------|
| MAX24205 | 49.152MHZ |
| MAX24210 | |
| MAX24305 | |
| MAX24310 | |
| MAX24605 | |
| MAX24610 | 50MHZ |
| MAX24705 | |
| MAX24710 | |
| MAX24405 | |

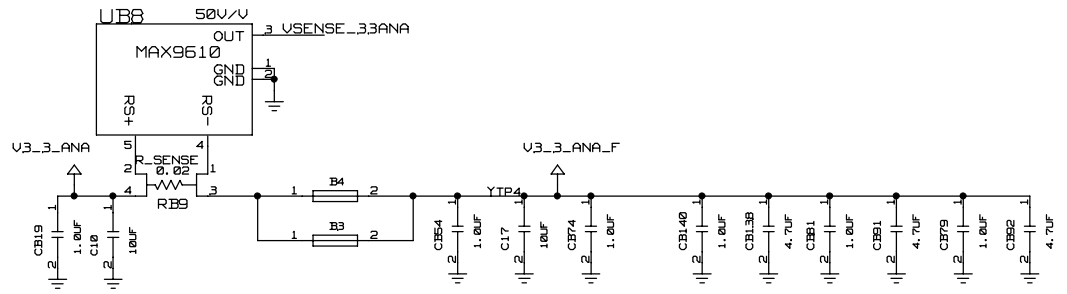
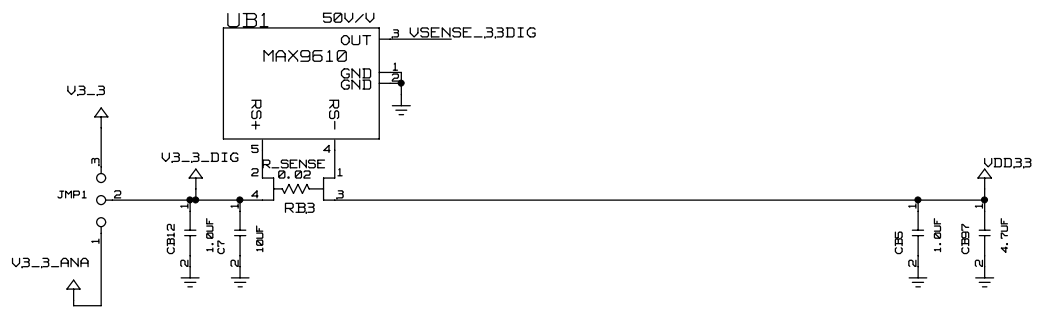


| | | | |
|-----------|----------------|-------|------------|
| TITLE: | MAX24310 REV B | DATE: | 12-20-2012 |
| ENGINEER: | | PAGE: | 2 OF 15 |

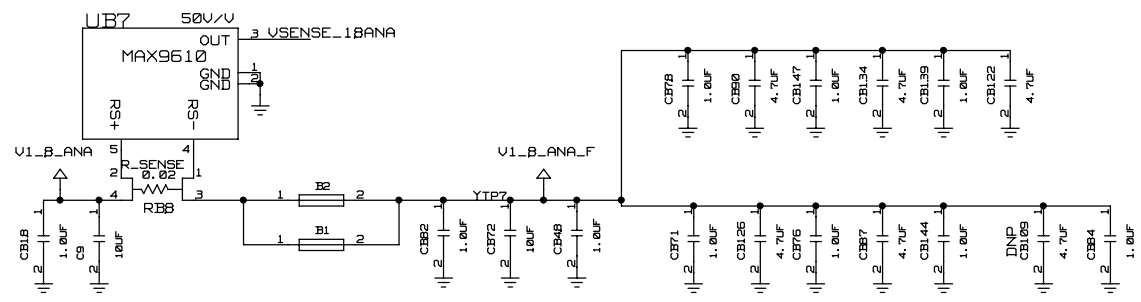
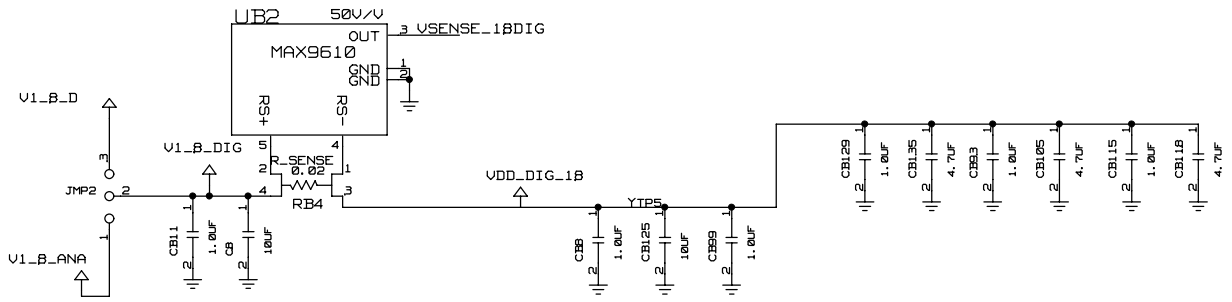
B 7 6 5 4 3 2 1



| | | | |
|-----------|----------------|-------|------------|
| TITLE: | MAX24310 REV B | DATE: | 12-20-2012 |
| ENGINEER: | | PAGE: | 3 OF 15 |

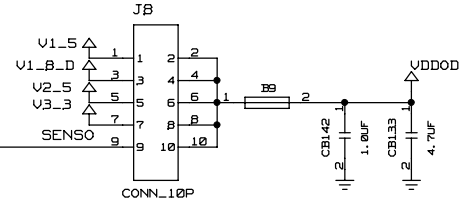
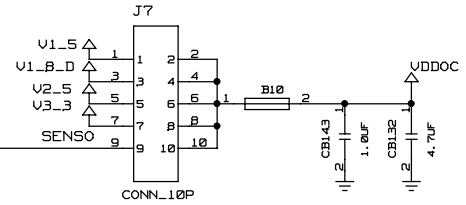
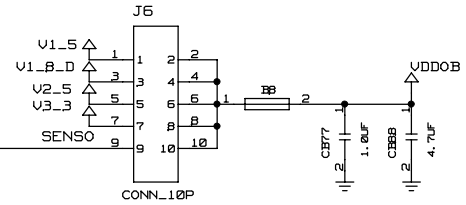
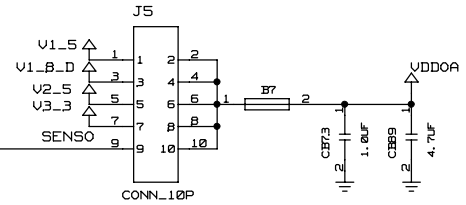
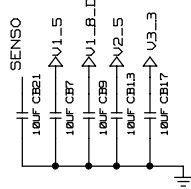
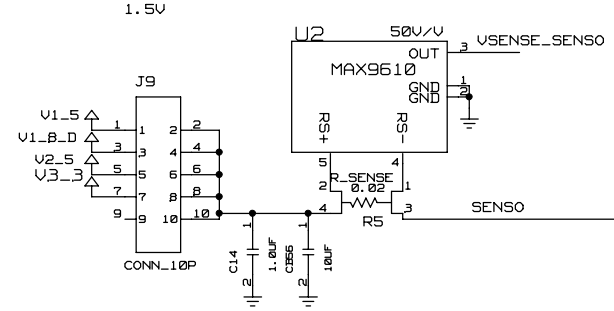
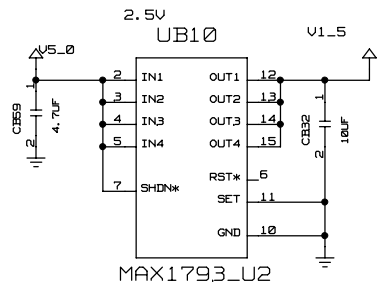
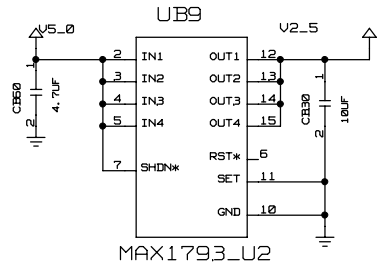


| | | | |
|-----------|----------------|-------|------------|
| TITLE: | MAX24310 REV B | DATE: | 12-20-2012 |
| ENGINEER: | | PAGE: | 4 OF 15 |

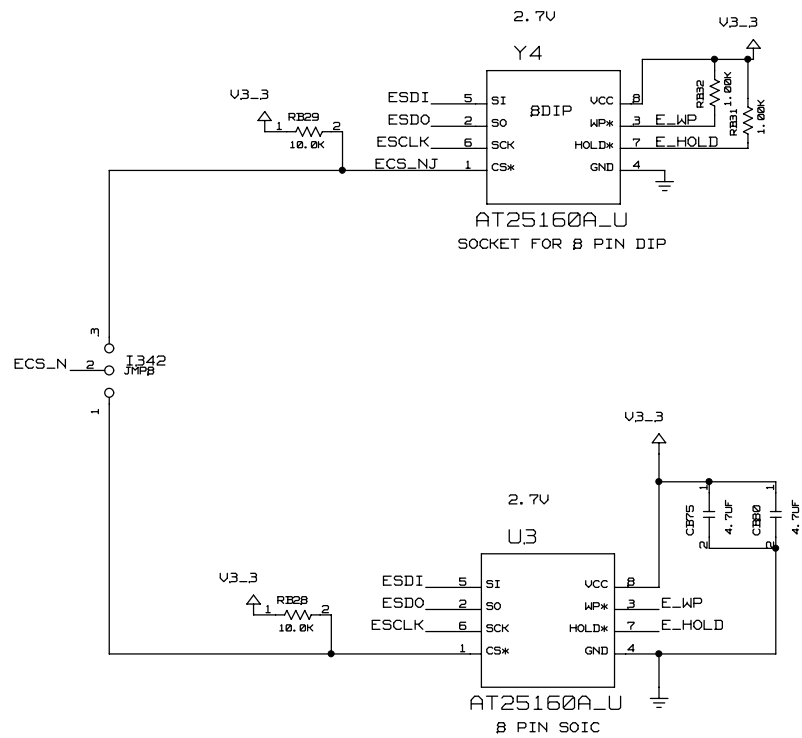
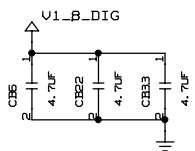
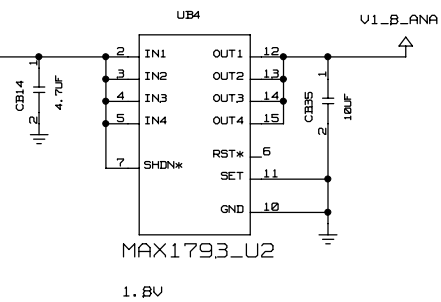
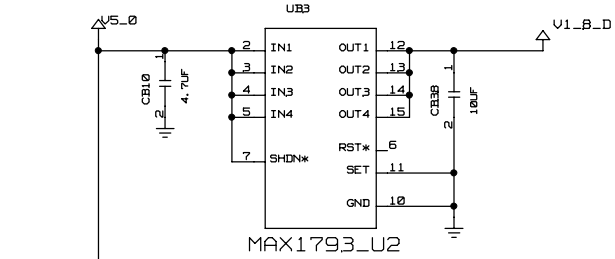


NOTES:
 1. CBI09 IS NOT POPULATED TO PROVIDE A CLEAR MOUNTING AREA FOR THE CRYSTAL DAUGHTER CARD

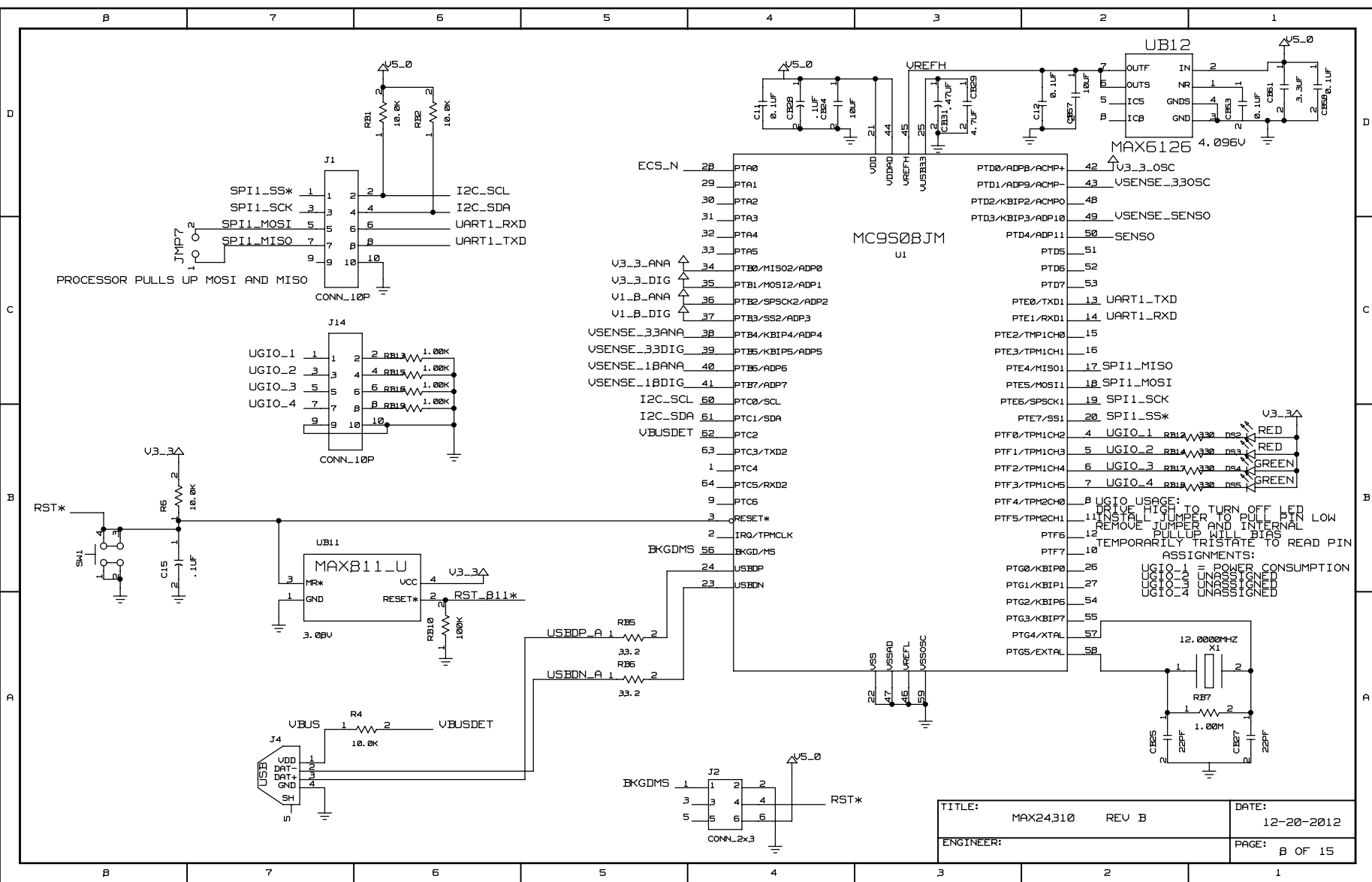
| | | | |
|-----------|----------------|-------|------------|
| TITLE: | MAX24310 REV B | DATE: | 12-20-2012 |
| ENGINEER: | | PAGE: | 5 OF 15 |



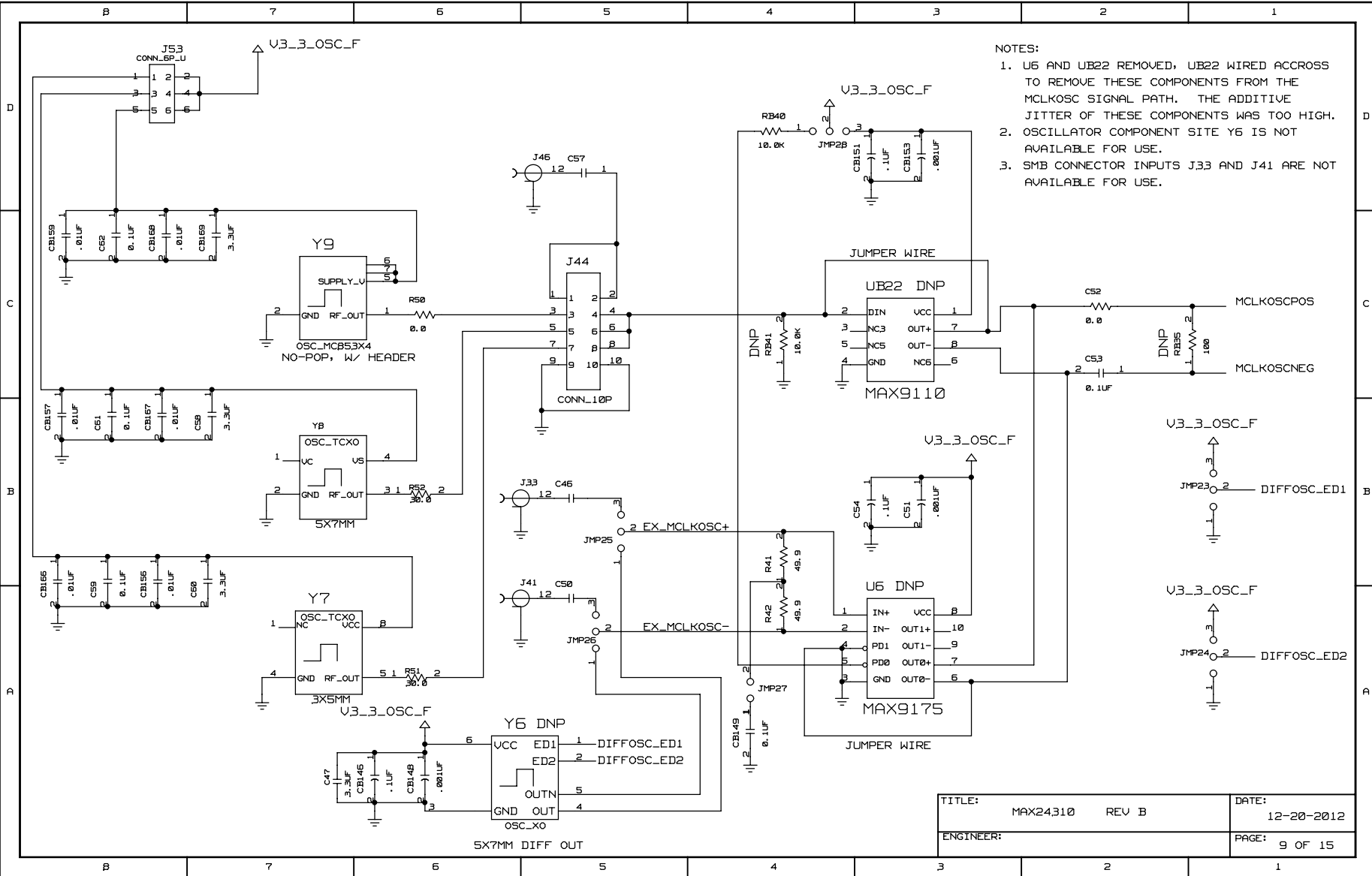
| | | | |
|-----------|----------------|-------|------------|
| TITLE: | MAX24310 REV B | DATE: | 12-20-2012 |
| ENGINEER: | | PAGE: | 6 OF 15 |



| | | | |
|-----------|----------------|-------|------------|
| TITLE: | MAX24310 REV B | DATE: | 12-20-2012 |
| ENGINEER: | | PAGE: | 7 OF 15 |



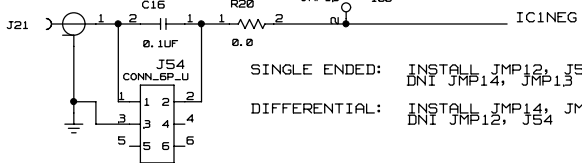
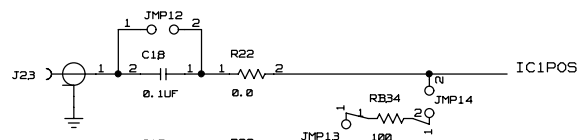
| | | | |
|-----------|----------------|-------|------------|
| TITLE: | MAX24310 REV B | DATE: | 12-20-2012 |
| ENGINEER: | | PAGE: | B OF 15 |



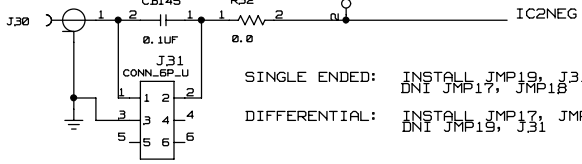
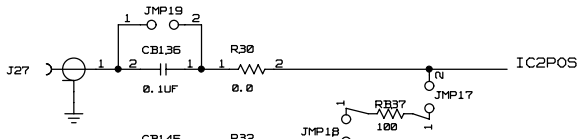
- NOTES:
1. U6 AND UB22 REMOVED, UB22 WIRED ACCROSS TO REMOVE THESE COMPONENTS FROM THE MCLKOSC SIGNAL PATH. THE ADDITIVE JITTER OF THESE COMPONENTS WAS TOO HIGH.
 2. OSCILLATOR COMPONENT SITE Y6 IS NOT AVAILABLE FOR USE.
 3. SMB CONNECTOR INPUTS J33 AND J41 ARE NOT AVAILABLE FOR USE.

| | | | |
|-----------|----------------|-------|------------|
| TITLE: | MAX24310 REV B | DATE: | 12-20-2012 |
| ENGINEER: | | PAGE: | 9 OF 15 |

B 7 6 5 4 3 2 1



SINGLE ENDED: INSTALL JMP12, JS4.1+3
 DNI JMP14, JMP13
 DIFFERENTIAL: INSTALL JMP14, JMP13
 DNI JMP12, JS4



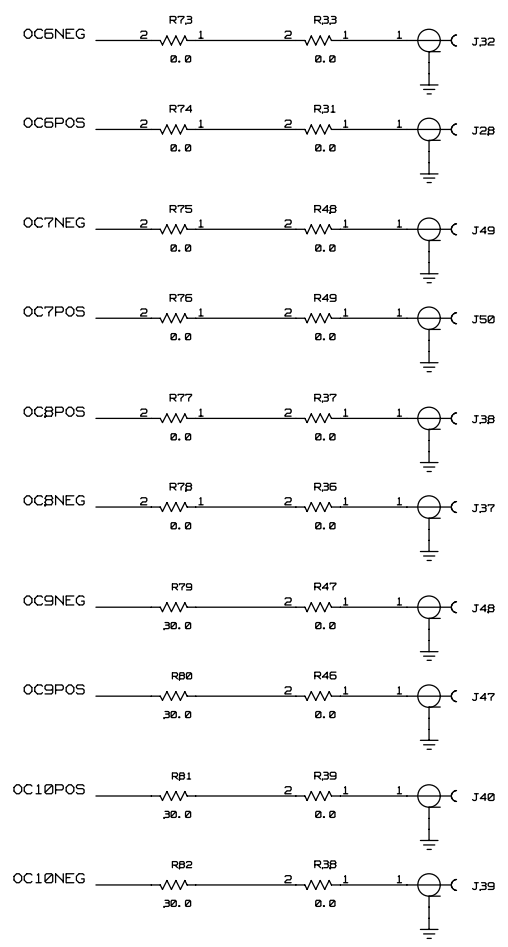
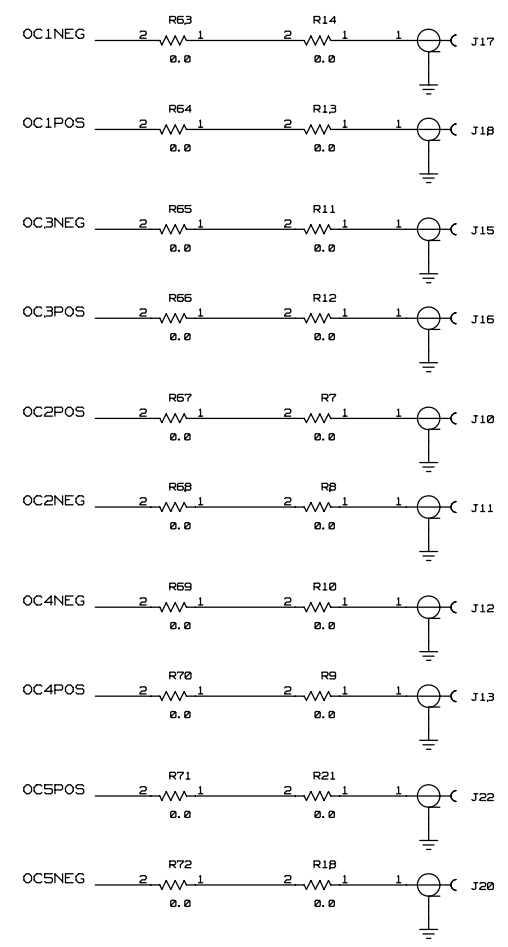
SINGLE ENDED: INSTALL JMP19, J31.1+3
 DNI JMP17, JMP18
 DIFFERENTIAL: INSTALL JMP17, JMP18
 DNI JMP19, J31



| | | | |
|-----------|----------------|-------|------------|
| TITLE: | MAX24310 REV B | DATE: | 12-20-2012 |
| ENGINEER: | | PAGE: | 10 OF 15 |

B 7 6 5 4 3 2 1

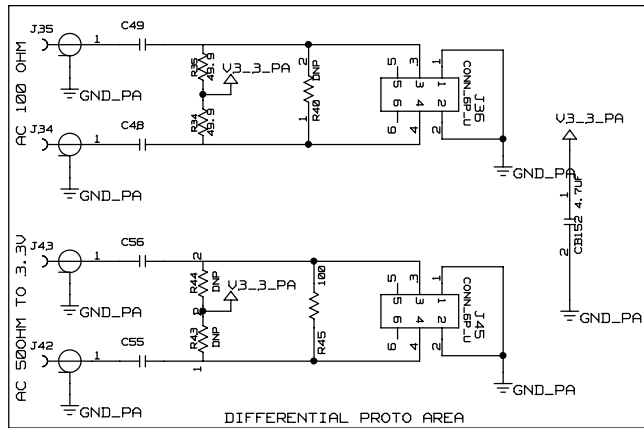
B 7 6 5 4 3 2 1



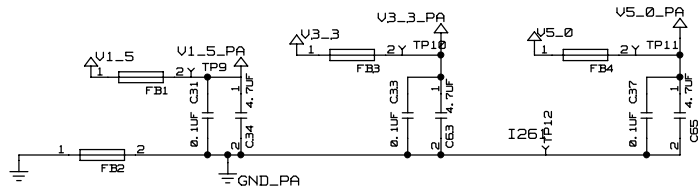
NOTES:
 1. THE TERMINATION NETWORKS FOR OC1P/N THROUGH OCBP/N ARE CONFIGURED AS DC-COUPLED DIFFERENTIAL CML.
 2. THE TERMINATION NETWORKS FOR OC9P/N AND OC10P/N ARE CONFIGURED AS DUAL SINGLE-ENDED CMOS

B 7 6 5 4 3 2 1

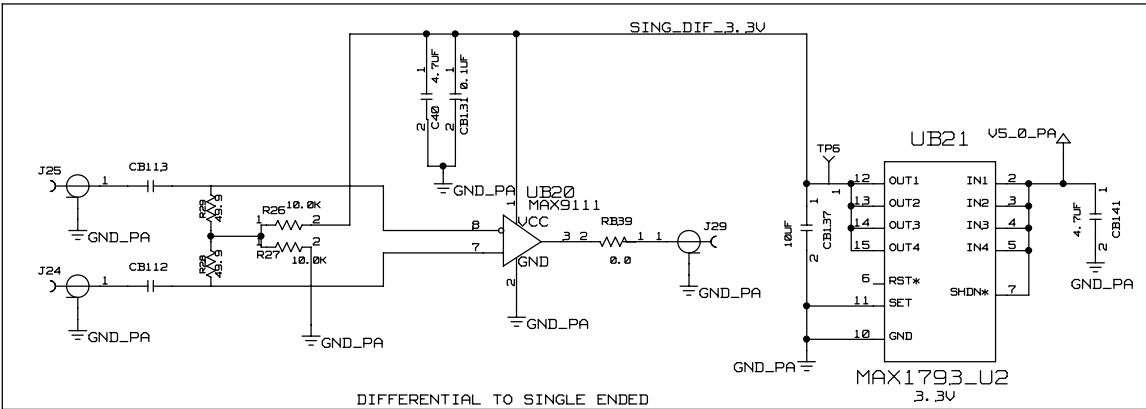
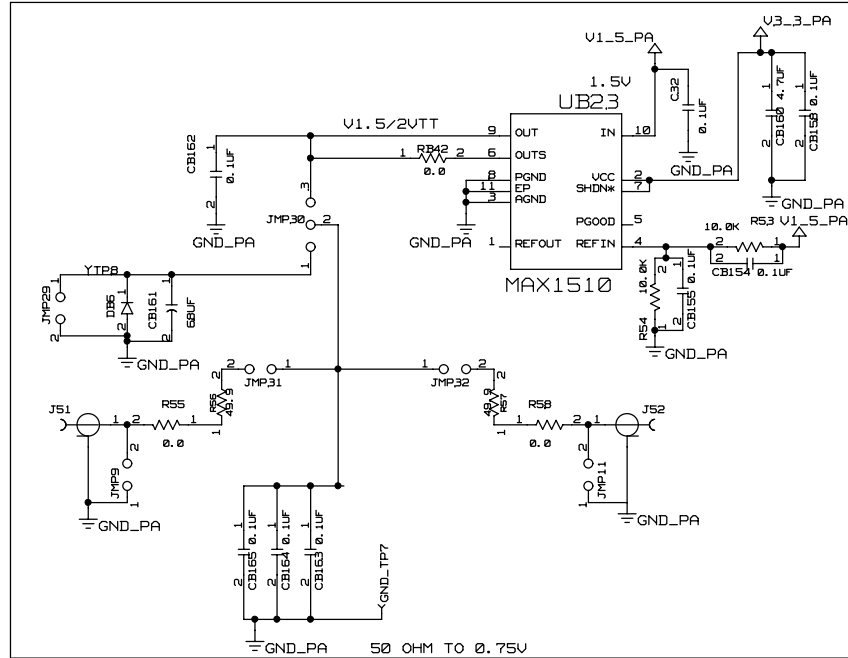
| | | | |
|-----------|----------------|-------|------------|
| TITLE: | MAX24310 REV B | DATE: | 12-20-2012 |
| ENGINEER: | | PAGE: | 11 OF 15 |



DIFFERENTIAL PROTO AREA



POWER SIGNALS ON THIS PAGE
HAVE THE PA SUFFIX AND CONNECT TO MAIN SUPPLY USING FERRITE BEAD
THIS ISOLATES THE PROTOTYPE AREA FROM THE MAIN BOARD



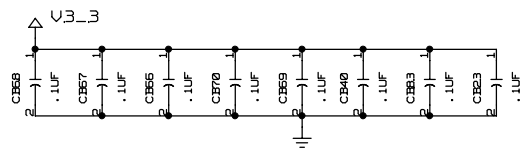
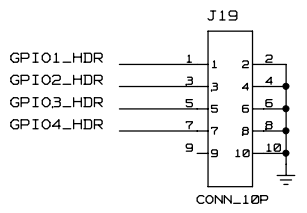
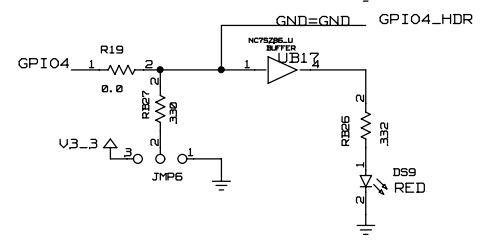
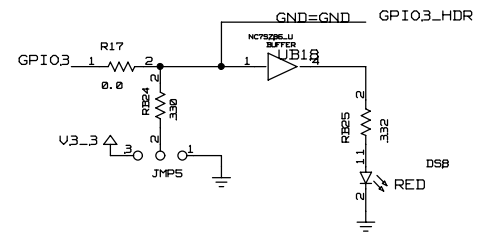
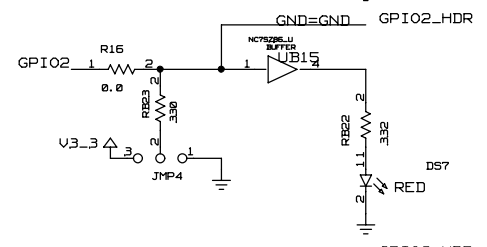
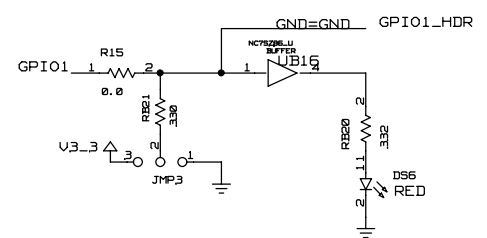
DIFFERENTIAL TO SINGLE ENDED

PLUGS, CABLE FROM SMB TO THIS PAGE FOR
ACTIVE TERMINATION OR 100OHM DIFFERENTIAL

| | | | |
|-----------|----------------|-------|------------|
| TITLE: | MAX24310 REV B | DATE: | 12-20-2012 |
| ENGINEER: | | PAGE: | 12 OF 15 |

B 7 6 5 4 3 2 1

GPIO1: STATUS
 GPIO2: STATUS
 GPIO3: AT RESET AUTO CONFIGURE IF GPIO3 IS HIGH
 GPIO4: SOURCE SWITCHING CONTROL INPUT



| | | | |
|-----------|----------------|-------|------------|
| TITLE: | MAX24310 REV B | DATE: | 12-20-2012 |
| ENGINEER: | | PAGE: | 13 OF 15 |

B 7 6 5 4 3 2 1

D

D

C

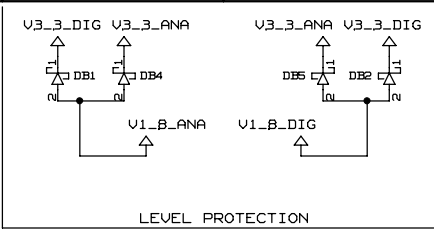
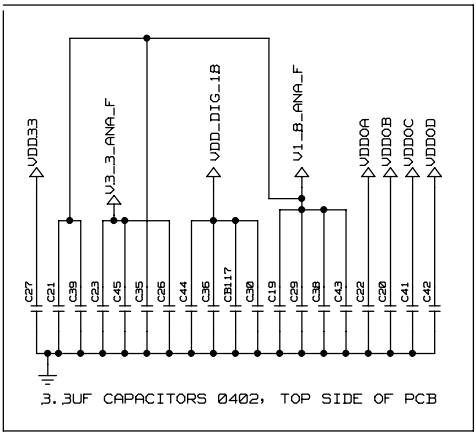
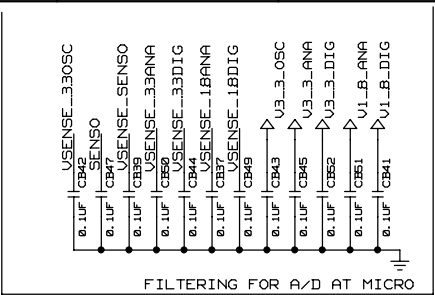
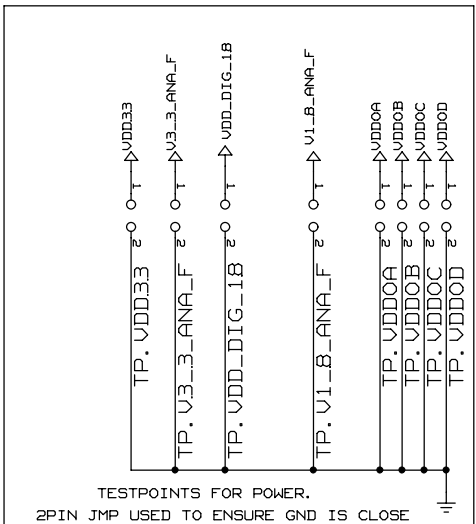
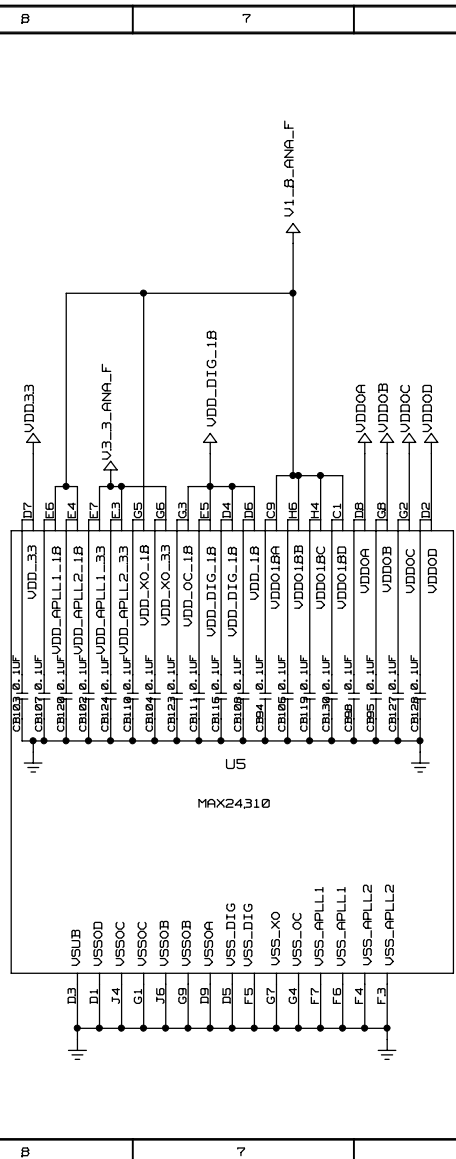
C

B

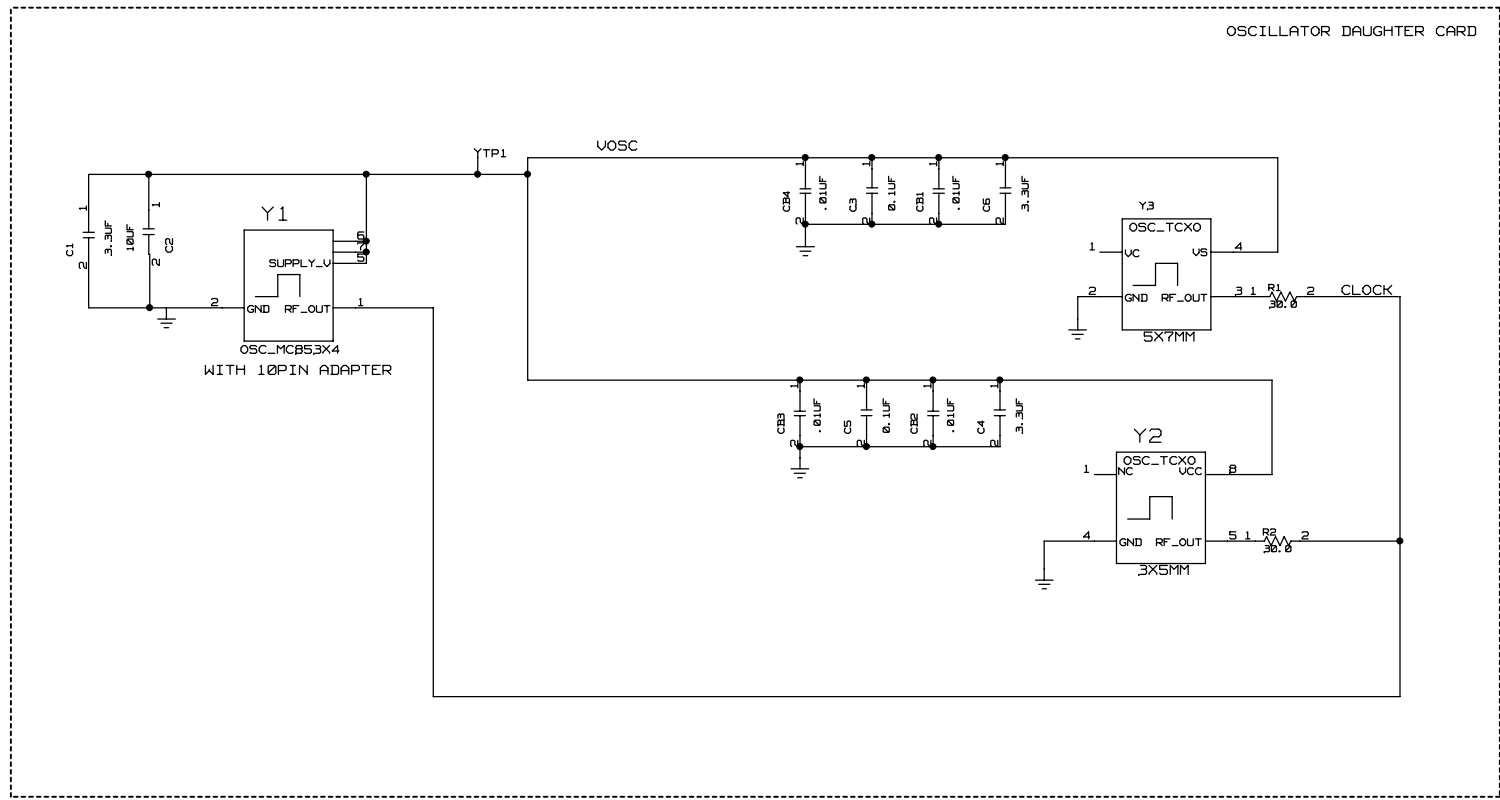
B

A

A



| | | | |
|-----------|----------------|-------|------------|
| TITLE: | MAX24310 REV B | DATE: | 12-20-2012 |
| ENGINEER: | | PAGE: | 14 OF 15 |



| | | | |
|-----------|----------------|-------|------------|
| TITLE: | MAX24310 REV B | DATE: | 12-20-2012 |
| ENGINEER: | | PAGE: | 15 OF 15 |